

LINEA

5941XSC125P30-13 RAL9002

EAN 4031582352665



BETTER MOBILITY. BETTER LIFE.



Image may differ from the original product

PERFORMANCE

Roll performance	● ● ● ● ●
Movement noise	● ● ● ○ ○
Attrition	● ● ● ● ○
Corrosion resistance	● ● ● ● ○

CORE ATTRIBUTES

Product name	Linea
Type	Swivel castor with directional lock
Standard	EN12530 - Devices Castors
Load capacity at 3 km/h	130 kg
Electric conductive	✓
Stainless	✓
Load capacity Static	260 kg
Temperature range (Minimum)	-10 °C
Temperature range (Maximum)	40 °C
Overall height	143 mm
Overall width	82 mm
Overall weight	0.873 kg

WHEEL

Body material	Polyamide, electric conductive
Tread material	Polyurethane, injected, electric-conductive
Bearing	Precision ball bearing, stainless
Threadguards	With threadguard
Diameter	125 mm
Tread width	20 mm
Hardness of tread (A)	92 Shore A

HOUSING

Material fork	Polyamide
Fork shape	Twin wheel housing
Swivel bearing	Precision ball bearing
Colour	Grey white (RAL9002)
Offset	40 mm
Swivel radius	129 mm
Swivel interference	258 mm
Dome diameter	52 mm

FITTING

Fitting type	Bolt hole
Bolt hole diameter	13 mm



LINEA

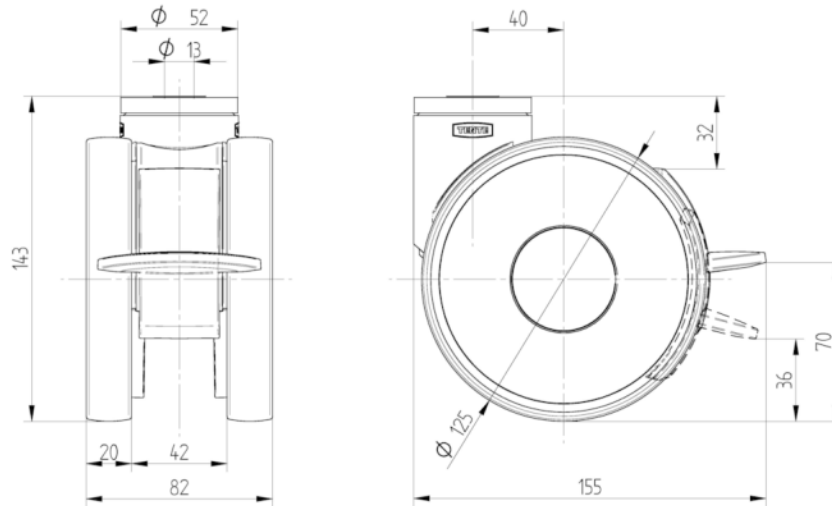
5941XSC125P30-13 RAL9002

EAN 4031582352665



BETTER MOBILITY. BETTER LIFE.

TECHNICAL DRAWINGS



Deutscher
Designer
Club



Interzum
Award



IF
Design
Award