

INTEGRAL ASSIST

ED44ETW150R36-32S35 D 9002 4xM6 0°

EAN 4031582550399



BETTER MOBILITY. BETTER LIFE.



Image may differ from the original product

PERFORMANCE

Roll Performance	● ● ● ● ●
Movement noise	● ● ● ● ○
Attrition	● ● ● ● ○
Corrosion resistance	● ● ● ● ○

CORE ATTRIBUTES

Product name	Integral assist
Type	Swivel caster with central, total or directional lock
Standard	EN12531 - Hospital Bed Castors
Load capacity at 2.5 mph	330.69 lb
Electric conductive	no
Stainless	no
WeAssist Compatible	1
Load capacity Static	992.08 lb
Temperature range (Minimum)	14 °F
Temperature range (Maximum)	104 °F
Overall height	7.2 in
Overall width	4.35 in
Overall weight	11.05 lb
Protection type	IPX6 (only for electronic components when installed)
Permissible ambient temperature	Operating temperature 41 °F to 104 °F, air humidity 20% - 80%

HOUSING

Swivel bearing	Precision ball bearing
Housing Color	Gray white (RAL9002)
Offset	1.57 in
Swivel radius	4.53 in
Swivel interference	9.06 in
Dome diameter	4.35 in

WHEEL

Body material	Steel, iron
Tread material	Polyurethane, casted
Bearing	Hub motor
Tread color	Slate gray (RAL7015)
Threadguards	Integrated threadguard
Diameter	5.91 in
Tread width	1.97 in
Hardness of tread (A)	85 Shore A

FITTING

Fitting type	Stem with cam hole for profile bars, short version
Bolt diameter	1.26 in
Bolt length	1.97 in
Bolt thread position	0.28 in
Bolt mounting holes quantity	4



INTEGRAL ASSIST

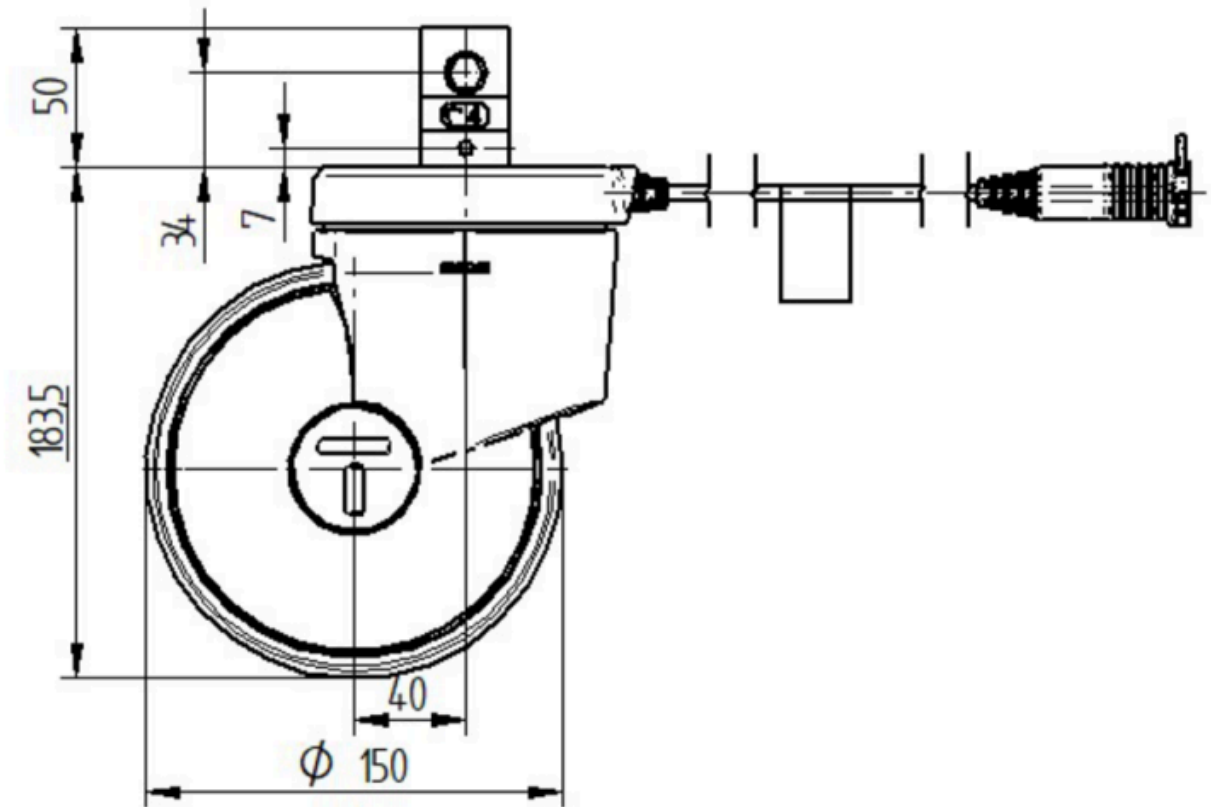
ED44ETW150R36-32S35 D 9002 4xM6 0°

EAN 4031582550399

Order number 900000047
Product Drawings



BETTER MOBILITY. BETTER LIFE.



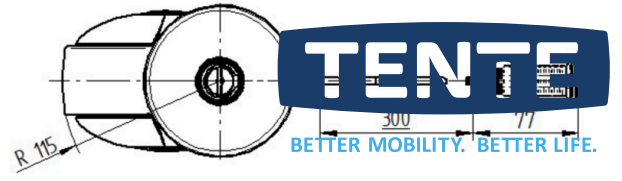
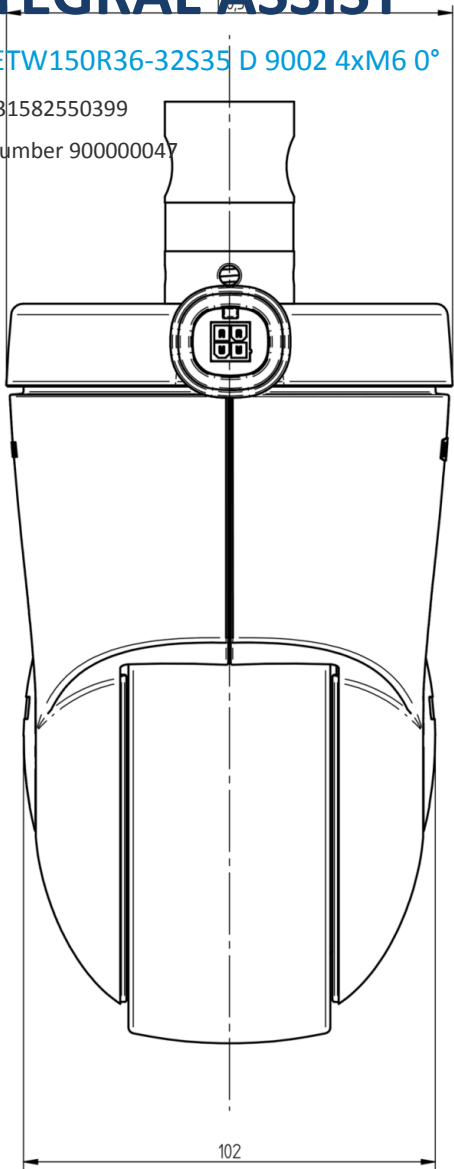
Red Dot
Design
Award

INTEGRAL ASSIST

ED44ETW150R36-32S35 D 9002 4xM6 0°

EAN 4031582550399

Order number 900000047



Red Dot
Design
Award