

ALPHA

3477PIO125P62

EAN 4031582305265



BETTER MOBILITY. BETTER LIFE.



Image may differ from the original product

PERFORMANCE

Roll performance	● ● ● ○ ○
Movement noise	● ● ● ○ ○
Attrition	● ● ● ○ ○
Corrosion resistance	● ● ● ○ ○

CORE ATTRIBUTES

Product name	Alpha
Type	Swivel castor with total lock
Standard	EN12532 - Transport Equipment
Load capacity at 2.5 mph	176.37 lb
Load capacity Static	352.74 lb
Temperature range (Minimum)	-4 °F
Temperature range (Maximum)	140 °F
Overall height	6.1 in
Overall weight	2.75 lb

WHEEL

Body material	Polypropylene
Tread material	Solid rubber, non-marking
Bearing	Plain bearing
Axle	Screwed with nut
Threadguards	Without threadguard
Diameter	4.92 in
Tread width	1.46 in
Hardness of tread (A)	80 Shore A

HOUSING

Material	Steel sheet, heavy
Fork shape	Broad
Swivel bearing	Two ball races
Offset	1.57 in
Swivel radius	4.84 in
Swivel interference	9.69 in

FITTING

Fitting type	Rectangular plate
Plate length	4.13 in
Plate width	3.15 in
Plate hole length (Minimum)	3.03 in
Plate hole length (Maximum)	3.15 in
Plate hole width (Maximum)	2.36 in
Plate hole diameter	0.35 in

ALPHA

3477PIO125P62

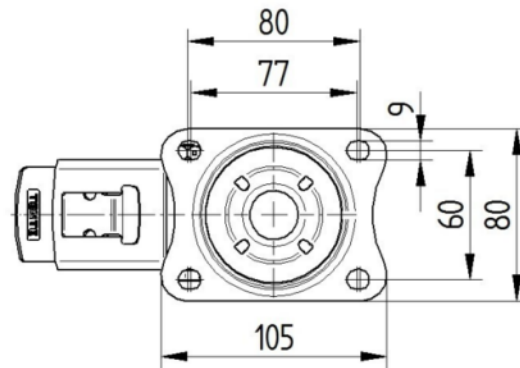
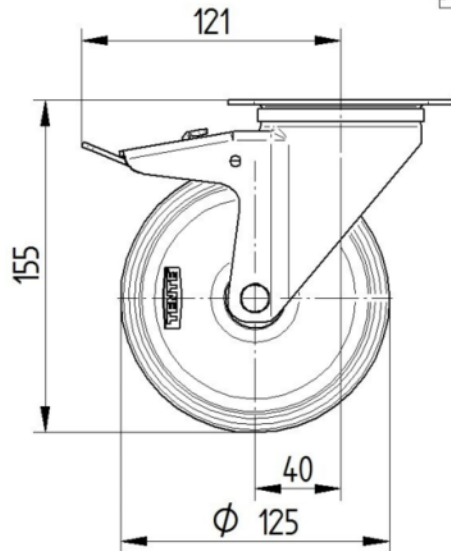
EAN 4031582305265



BETTER MOBILITY. BETTER LIFE.

TECHNICAL DRAWINGS

3477U00125P62-neu



Platte 3470-080P62-105x80

