

LINEA LIGHT

5925UOH065L51-10

EAN 4031582403985



BETTER MOBILITY. BETTER LIFE.



Image may differ from the original product

PERFORMANCE

Roll performance	● ● ● ○ ○
Movement noise	● ● ● ○ ○
Attrition	● ● ● ○ ○
Corrosion resistance	● ● ● ● ○

CORE ATTRIBUTES

Product name	Linea light
Type	Swivel castor with wheel brake
Standard	EN12528 - Furniture Castors
Load capacity at 1.8 mph	110.23 lb
Load capacity Static	220.46 lb
Temperature range (Minimum)	14 °F
Temperature range (Maximum)	104 °F
Overall height	2.68 in
Overall width	1.81 in
Overall weight	0.23 lb

WHEEL

Body material	Polyamide
Tread material	Identical with wheel body
Bearing	Plain bearing
Threadguards	With threadguard
Diameter	2.56 in
Tread width	0.55 in

HOUSING

Material	Polyamide
Fork shape	Twin wheel housing
Swivel bearing	Stem, swiveling
Swivel radius	2.64 in
Swivel interference	5.28 in
Dome diameter	0.91 in

FITTING

Fitting type	Blind hole for B10 fitting
Bolt hole diameter	0.39 in



LINEA LIGHT

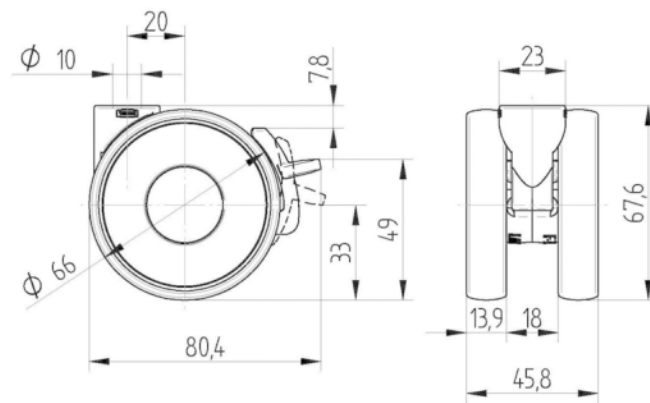
5925UOH065L51-10

EAN 4031582403985



BETTER MOBILITY. BETTER LIFE.

TECHNICAL DRAWINGS



Deutscher
Designer
Club



Interzum
Award



IF
Design
Award