

LEVINA

5377XSP125P50 XL

EAN 4031582404142
Order number 00061383



BETTER MOBILITY. BETTER LIFE.



Image may differ from the original product

PERFORMANCE

Roll performance	●●●○○
Movement noise	●●●●○
Attrition	●●●●○
Corrosion resistance	●●●●○

CORE ATTRIBUTES

Product name	Levina
Type	Swivel castor with total lock
Standard	EN12530 - Devices Castors
Load capacity at 1.8 mph	220.46 lb
Electric conductive	✓
Load capacity Static	440.92 lb
Temperature range (Minimum)	14 °F
Temperature range (Maximum)	104 °F
Overall height	6.34 in
Overall weight	1.61 lb

WHEEL

Body material	Polyamide, electric conductive
Tread material	Polyurethane, injected, electric-conductive
Bearing	Precision ball bearing
Threadguards	With threadguard
Diameter	4.92 in
Tread width	1.26 in
Hardness of tread (D)	40 Shore D

HOUSING

Material	Polyamide
Fork shape	Slim
Swivel bearing	Two ball races
Offset	1.52 in
Swivel radius	5.12 in
Swivel interference	10.24 in

FITTING

Fitting type	Rectangular plate
Plate length	3.03 in
Plate width	2.64 in
Plate hole length (Minimum)	2.2 in
Plate hole length (Maximum)	2.42 in
Plate hole width (Minimum)	1.83 in
Plate hole width (Maximum)	2.03 in
Plate hole diameter	0.33 in



Universal Design Award



Deutscher Designer Club

LEVINA

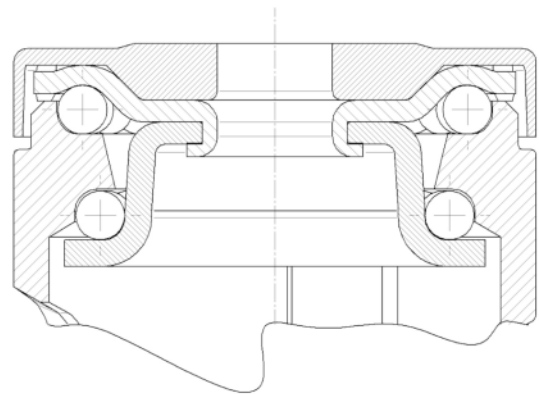
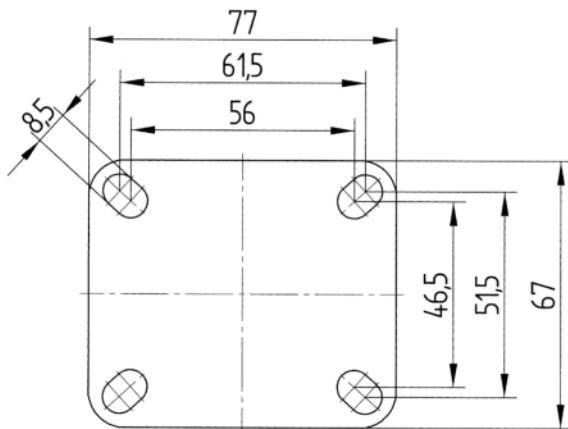
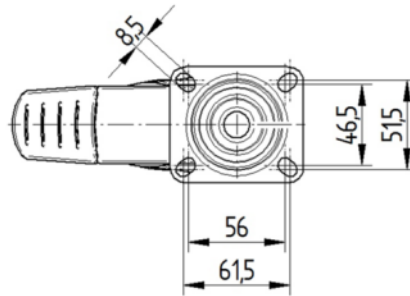
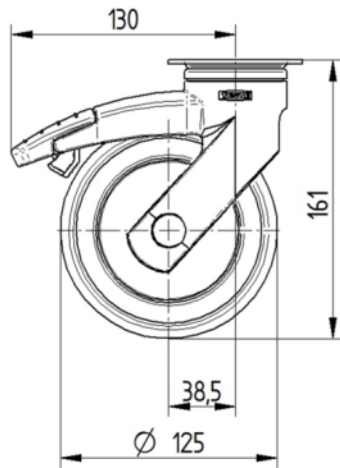
5377XSP125P50 XL

EAN 4031582404142
Order number 00061383



BETTER MOBILITY. BETTER LIFE.

TECHNICAL DRAWINGS



Universal
Design
Award



Deutscher
Designer
Club