

ALPHA

3470UEJ100P62 T/G-SMALL

EAN 4031582377750
Order number 00001525



BETTER MOBILITY. BETTER LIFE.



Image may differ from the original product

PERFORMANCE

Roll performance	● ● ● ● ○
Movement noise	● ● ● ● ○
Attrition	● ● ● ○ ○
Corrosion resistance	● ● ● ○ ○

CORE ATTRIBUTES

Product name	Alpha
Type	Swivel castor
Standard	EN12532 - Transport Equipment
Load capacity at 4 km/h	160 kg
Load capacity Static	320 kg
Temperature range (Minimum)	-20 °C
Temperature range (Maximum)	80 °C
Overall height	128 mm
Overall width	75 mm
Overall weight	0.856 kg

WHEEL

Body material	Polyamide
Tread hardness	soft
Tread material	Elastic tire, black, vulcanized
Bearing	Roller bearing
Axle	Screwed with nut
Wheel color	Silver grey (RAL7001)
Threadguards	With threadguard
Diameter	100 mm
Tread width	34 mm
Body width	34 mm
Hardness of tread (A)	63 Shore A

HOUSING

Material fork	Steel sheet, heavy
Fork shape	Broad
Swivel bearing	Two ball races
Colour	Blue passivated
Offset	40 mm
Swivel radius	90 mm
Swivel interference	180 mm
Dome diameter	75 mm

FITTING

Fitting type	Small rectangular plate
Plate length	105 mm
Plate width	80 mm
Plate hole length (Minimum)	77 mm
Plate hole length (Maximum)	60 mm
Plate hole width (Minimum)	77 mm
Plate hole width (Maximum)	80 mm
Plate hole diameter	9 mm

ALPHA

3470UEJ100P62 T/G-SMALL

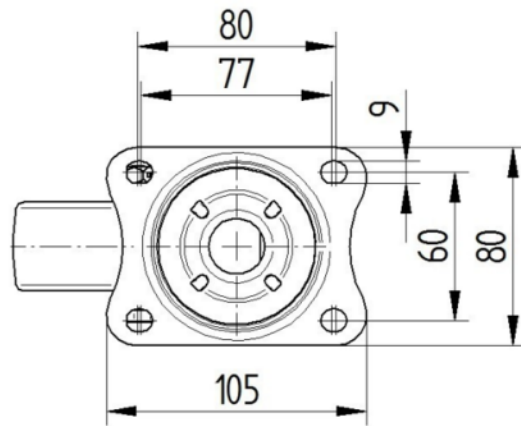
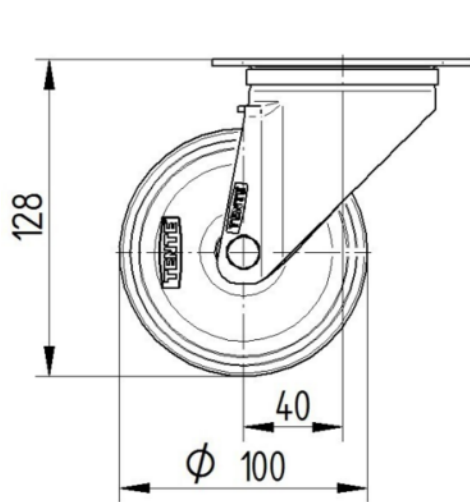
EAN 4031582377750
Order number 00001525



BETTER MOBILITY. BETTER LIFE.

TECHNICAL DRAWINGS

3470U00100P62-neu



Platte 3470-080P62-105x80

