

INTEGRAL ASSIST

ED44ETW150R36-34S35 D 9002 90°



BETTER MOBILITY. BETTER LIFE.

Order number 900000053



Image may differ from the original product

PERFORMANCE

Roll performance	● ● ● ● ●
Movement noise	● ● ● ● ○
Attrition	● ● ● ● ○
Corrosion resistance	● ● ● ● ○

CORE ATTRIBUTES

Product name	Integral assist
Type	Swivel castor with central, total or directional lock
Standard	EN12531 - Hospital Bed Castors
Load capacity at 2.5 mph	330.69 lb
WeAssist Compatible	✓
Load capacity Static	992.08 lb
Temperature range (Minimum)	14 °F
Temperature range (Maximum)	104 °F
Overall height	7.2 in
Overall width	4.35 in
Overall weight	10.32 lb

WHEEL

Body material	Steel, iron
Tread material	Polyurethane, casted
Bearing	Hub motor
Tread color	Slate gray (RAL7015)
Threadguards	Integrated threadguard
Diameter	5.91 in
Tread width	1.97 in
Hardness of tread (A)	85 Shore A

HOUSING

Swivel bearing	Precision ball bearing
Color	Gray white (RAL9002)
Offset	1.57 in
Swivel radius	4.53 in
Swivel interference	9.06 in
Dome diameter	4.35 in

FITTING

Fitting type	Stem with cam hole for profile bars, short version
--------------	----------------------------------------------------

ADDITIONAL INFORMATION

Motor type: Brushless Direct Current (BLDC)

DRIVE UNIT TRAVEL MOTOR

Nominal voltage	25 V
Nominal output	92 W
Nominal speed	51.78 mi/h
Directions of travel	Forwards and backward

DRIVE UNIT ACTUATOR

Nominal speed	273.4 fpm
---------------	-----------



Red Dot
Design
Award

INTEGRAL ASSIST

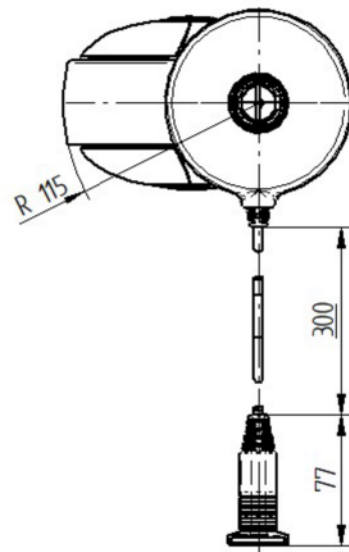
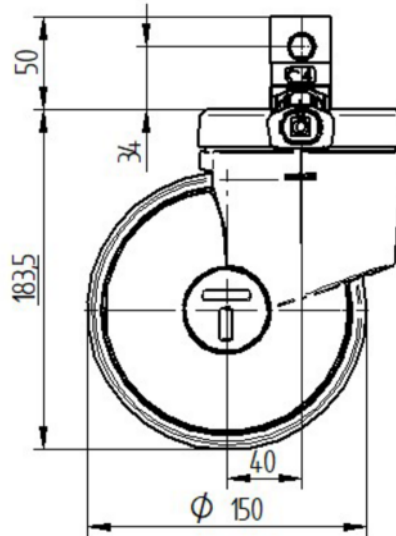
ED44ETW150R36-34S35 D 9002 90°

Order number 900000053



BETTER MOBILITY. BETTER LIFE.

TECHNICAL DRAWINGS



Red Dot
Design
Award