

ALPHA

3477PJP125P62 65A

EAN 4031582409734
Order number 00061826



BETTER MOBILITY. BETTER LIFE.



Image may differ from the original product

PERFORMANCE

Roll performance	● ● ● ○ ○
Movement noise	● ● ● ● ●
Attrition	● ● ● ○ ○
Corrosion resistance	● ● ● ○ ○

CORE ATTRIBUTES

Product name	Alpha
Type	Swivel castor with total lock
Standard	EN12532 - Transport Equipment
Load capacity at 2.5 mph	396.83 lb
Load capacity Static	793.66 lb
Temperature range (Minimum)	-4 °F
Temperature range (Maximum)	140 °F
Overall height	6.1 in
Overall width	2.95 in
Overall weight	2.51 lb

WHEEL

Body material	Polypropylene
	soft
Tread material	Thermoplastic rubber
Bearing	Precision ball bearing
Axle	Screwed with nut
Wheel color	Silver gray (RAL7001)
Threadguards	With threadguard
Diameter	4.92 in
Tread width	1.57 in
Body width	1.57 in
Hardness of tread (A)	65 Shore A

HOUSING

Material	Steel sheet, heavy
Fork shape	Broad
Swivel bearing	Two ball races
Color	Blue passivated
Offset	1.57 in
Swivel radius	4.84 in
Swivel interference	9.69 in
Dome diameter	2.95 in

FITTING

Fitting type	Rectangular plate
Plate length	4.13 in
Plate width	3.15 in
Plate hole length (Minimum)	3.03 in
Plate hole length (Maximum)	2.36 in
Plate hole width (Minimum)	3.03 in
Plate hole width (Maximum)	3.15 in
Plate hole diameter	0.35 in

ALPHA

3477PJP125P62 65A

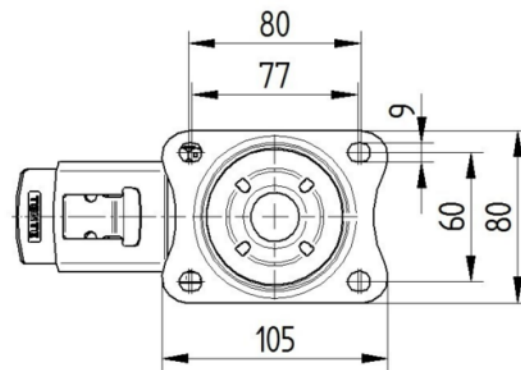
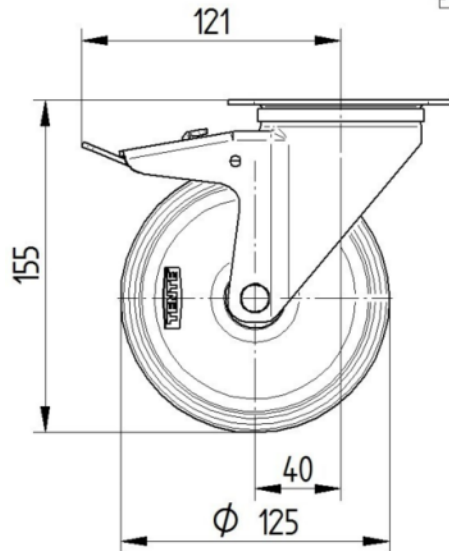
EAN 4031582409734
Order number 00061826



BETTER MOBILITY. BETTER LIFE.

TECHNICAL DRAWINGS

3477U00125P62-neu



Platte 3470-080P62-105x80

