

# LEVINA

5370PIP100R05-22X45

EAN 4031582362732



BETTER MOBILITY. BETTER LIFE.



Image may differ from the original product

## PERFORMANCE

Roll performance	● ● ● ○ ○
Movement noise	● ● ● ● ●
Attrition	● ● ● ○ ○
Corrosion resistance	● ● ● ● ●

## CORE ATTRIBUTES

Product name	Levina
Type	Swivel castor
Standard	EN12530 - Devices Castors
Load capacity at 1.8 mph	176.37 lb
Load capacity Static	352.74 lb
Temperature range (Minimum)	14 °F
Temperature range (Maximum)	104 °F
Overall height	5.39 in

## WHEEL

Body material	Polypropylene
	soft
Tread material	Solid rubber, non-marking
Bearing	Precision ball bearing
Threadguards	With threadguard
Diameter	3.94 in
Tread width	1.26 in
Hardness of tread (A)	75 Shore A

## HOUSING

Material	Polyamide
Fork shape	Slim
Swivel bearing	Two ball races
Offset	1.42 in
Swivel radius	3.39 in
Swivel interference	6.77 in

## FITTING

Fitting type	Solid stem, round
Bolt diameter	0.87 in
Bolt length	1.77 in



Universal Design Award



Deutscher Designer Club

# LEVINA

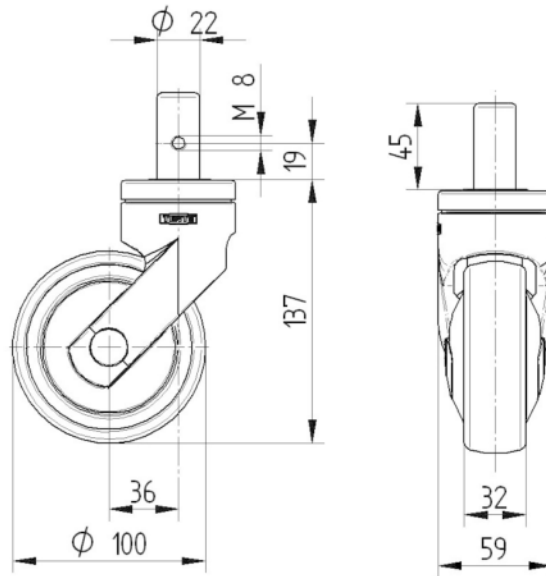
5370PIP100R05-22X45

EAN 4031582362732



BETTER MOBILITY. BETTER LIFE.

## TECHNICAL DRAWINGS



Universal  
Design  
Award



Deutscher  
Designer  
Club