

PLATE

P52-95X70 / 10

EAN 4031582482362



BETTER MOBILITY. BETTER LIFE.



Image may differ from the original product

PERFORMANCE

Corrosion resistance ●●●○○

CORE ATTRIBUTES

Product name	Plate
Type	Accessory

FITTING

Fitting type	Rectangular plate, US-bolt hole spacing
Plate length	95 mm
Plate width	70 mm
Plate hole length (Minimum)	44.45 mm
Plate hole length (Maximum)	52 mm
Plate hole width (Minimum)	72 mm
Plate hole width (Maximum)	76 mm
Plate hole diameter	9 mm



Universal Design Award



Deutscher Designer Club

PLATE

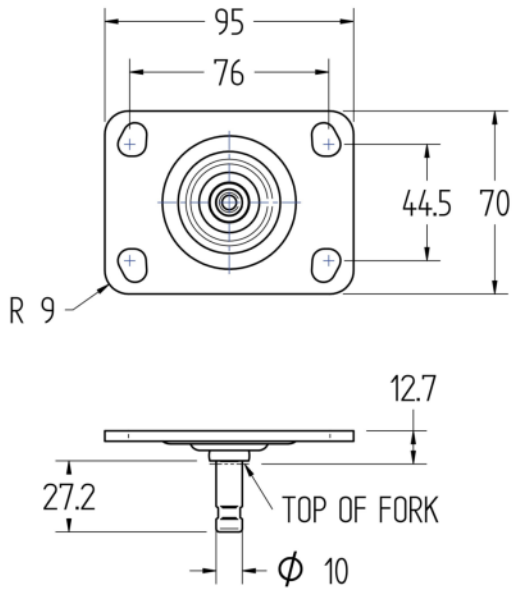
P52-95X70 / 10

EAN 4031582482362



BETTER MOBILITY. BETTER LIFE.

TECHNICAL DRAWINGS



Universal
Design
Award



Deutscher
Designer
Club