

# LINEA LIGHT

5920XSP100L51-11 RAL9002

EAN 4031582370737



BETTER MOBILITY. BETTER LIFE.



Image may differ from the original product

## PERFORMANCE

Roll performance	● ● ● ○ ○
Movement noise	● ● ● ○ ○
Attrition	● ● ● ○ ○
Corrosion resistance	● ● ● ● ○

## CORE ATTRIBUTES

Product name	Linea light
Type	Swivel castor
Standard	EN12528 - Furniture Castors
Load capacity at 3 km/h	100 kg
Electric conductive	✓
Load capacity Static	200 kg
Temperature range (Minimum)	-10 °C
Temperature range (Maximum)	40 °C
Overall height	100 mm
Overall width	73 mm

## WHEEL

Body material	Polyamide, electric conductive
Tread material	Polyurethane, injected, electric-conductive
Bearing	Precision ball bearing
Threadguards	With threadguard
Diameter	100 mm
Tread width	20 mm

## HOUSING

Material fork	Polyamide
Fork shape	Twin wheel housing
Swivel bearing	Stem, swiveling
Colour	Grey white (RAL9002)
Offset	32 mm
Swivel radius	88 mm
Swivel interference	176 mm
Dome diameter	40 mm

## FITTING

Fitting type	Blind hole for B10
Bolt hole diameter	11 mm



# LINEA LIGHT

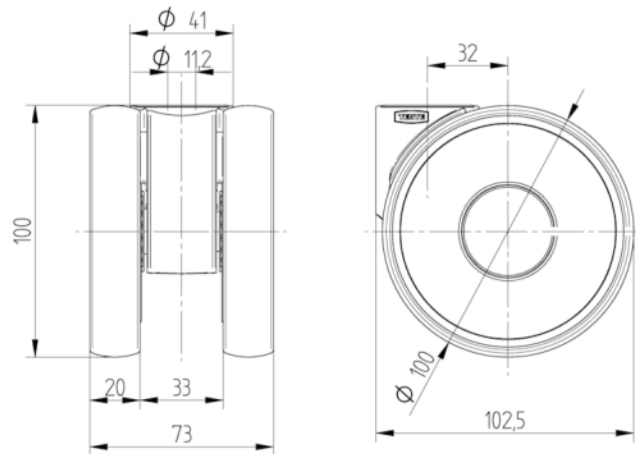
5920XSP100L51-11 RAL9002

EAN 4031582370737



BETTER MOBILITY. BETTER LIFE.

## TECHNICAL DRAWINGS



Deutscher  
Designer  
Club



Interzum  
Award



IF  
Design  
Award