

PURETECH

FVP 300x85-Ø30 HL90

EAN 4031582319538



BETTER MOBILITY. BETTER LIFE.



Image may differ from the original product

WHEEL

Tread hardness	soft
Body material	Cast iron
Tread Material Mix	Solid rubber, black
Bearing	Precision ball bearing
Wheel Color	Jet black (similar RAL9005)
Threadguards	With threadguard
Diameter	300 mm
Tread width	85 mm
Axle Hole Diameter	30 mm
Hub Length	90 mm
Body width	85 mm
Hardness of tread (A)	67 Shore A

PERFORMANCE

Roll Performance	● ● ● ○ ○ ○
Movement Noise	● ● ● ● ● ●
Attrition	● ● ● ● ○ ○
Corrosion Resistance	● ● ● ○ ○ ○

CORE ATTRIBUTES

Product Name	Puretech
Type	Wheel
Standard	EN12533 - Heavy Duty Castors
Load capacity at 4 km/h	960 kg
Load capacity at 6 km/h	800 kg
Electric Conductive	No
Stainless	No
Load capacity Static	1600 kg
Temperature range (Minimum)	-20 °C
Temperature range (Maximum)	80 °C
Overall weight	9.8 kg

PURETECH

FVP 300x85-Ø30 HL90

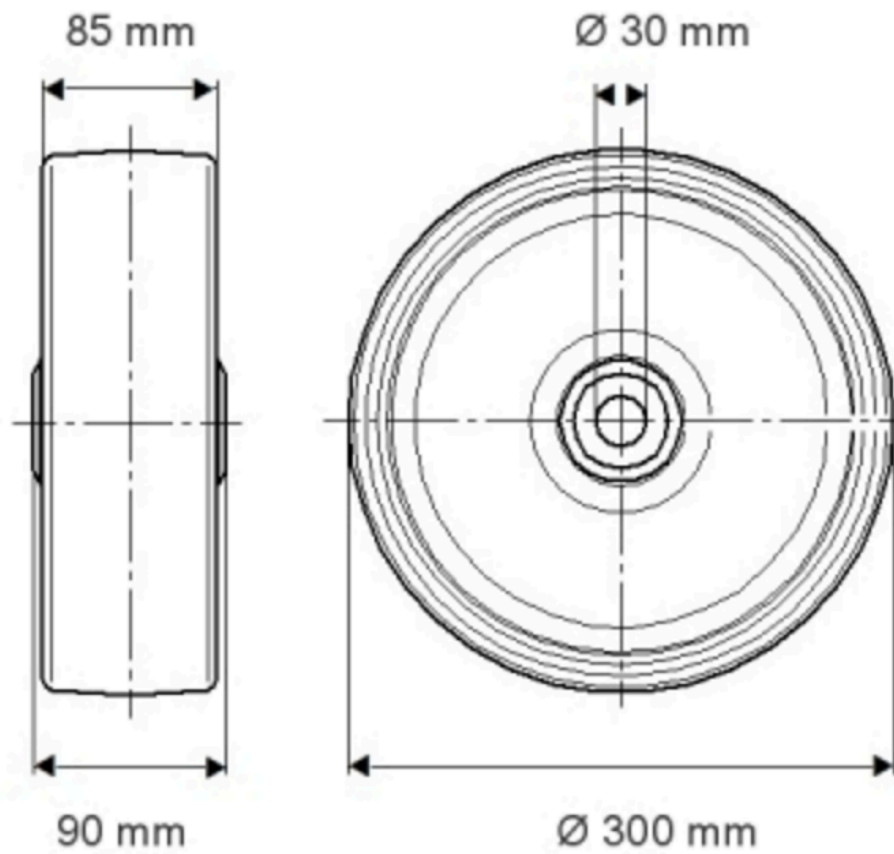
EAN 4031582319538

Order number 00801896

Product Drawings



BETTER MOBILITY. BETTER LIFE.



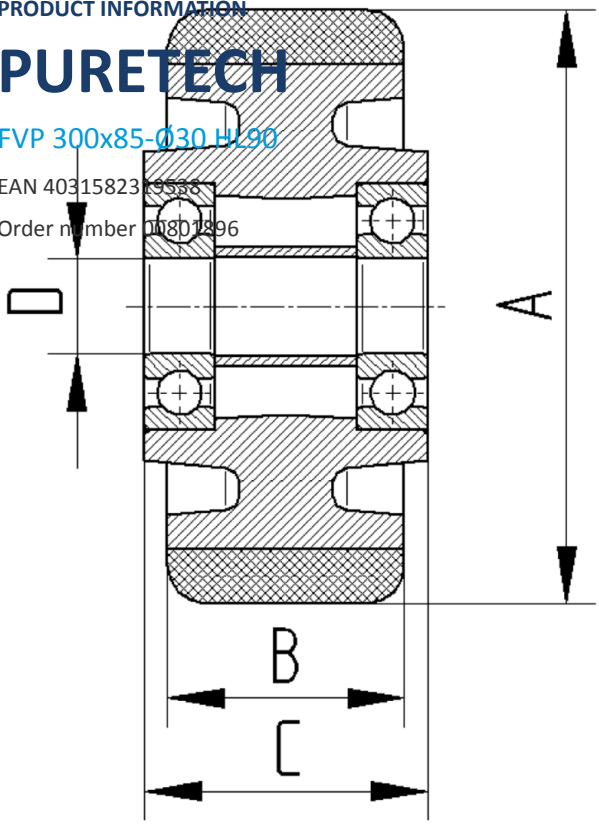
PRODUCT INFORMATION

PURETECH

FVP 300x85-Ø30 H190

EAN 4031582319538

Order number 01801896



BETTER MOBILITY. BETTER LIFE.