

LINEA LIGHT

5925UAO075L51-10 RAL9002 KICK PEDAL

EAN 4031582377385



BETTER MOBILITY. BETTER LIFE.



Image may differ from the original product

PERFORMANCE

Roll performance	● ● ● ○ ○
Movement noise	● ● ● ○ ○
Attrition	● ● ● ○ ○
Corrosion resistance	● ● ● ● ○

CORE ATTRIBUTES

Product name	Linea light
Type	Swivel castor with wheel brake
Standard	EN12528 - Furniture Castors
Load capacity at 1.8 mph	198.42 lb
Load capacity Static	396.83 lb
Temperature range (Minimum)	-4 °F
Temperature range (Maximum)	140 °F
Overall height	2.97 in
Overall width	2.17 in
Overall weight	0.39 lb

WHEEL

Body material	Polyamide
Tread material	Polyurethane, injected
Bearing	Plain bearing
Threadguards	Without threadguard
Diameter	2.95 in
Tread width	0.59 in
Hardness of tread (A)	92 Shore A

HOUSING

Material	Polyamide
Fork shape	Twin wheel housing
Swivel bearing	Stem, swiveling
Color	Gray white (RAL9002)
Offset	0.91 in
Swivel radius	3.23 in
Swivel interference	6.46 in
Dome diameter	1.18 in

FITTING

Fitting type	Blind hole for B10 fitting
Bolt hole diameter	0.39 in



Deutscher Designer Club



Interzum Award



IF Design Award

LINEA LIGHT

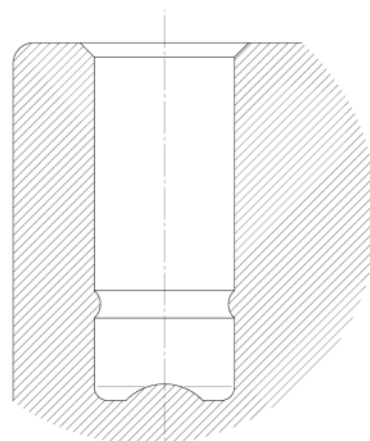
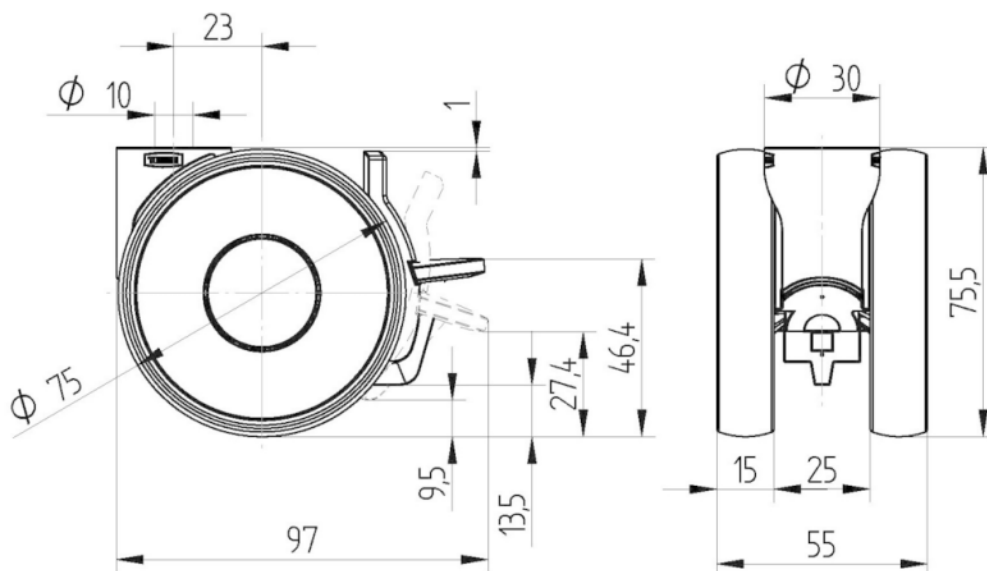
5925UAO075L51-10 RAL9002 KICK PEDAL

EAN 4031582377385



BETTER MOBILITY. BETTER LIFE.

TECHNICAL DRAWINGS



Deutscher
Designer
Club



Interzum
Award



IF
Design
Award