

# ALPHA

3477PIO125P62

EAN 4031582305265



BETTER MOBILITY. BETTER LIFE.



Image may differ from the original product

## PERFORMANCE

Roll performance	● ● ● ○ ○
Movement noise	● ● ● ○ ○
Attrition	● ● ● ○ ○
Corrosion resistance	● ● ● ○ ○

## CORE ATTRIBUTES

Product name	Alpha
Type	Swivel castor with total lock
Standard	EN12532 - Transport Equipment
Load capacity at 4 km/h	80 kg
Load capacity Static	160 kg
Temperature range (Minimum)	-20 °C
Temperature range (Maximum)	60 °C
Overall height	155 mm
Overall weight	1.247 kg

## WHEEL

Body material	Polypropylene
Tread material	Solid rubber, non-marking
Bearing	Plain bearing
Axle	Screwed with nut
Threadguards	Without threadguard
Diameter	125 mm
Tread width	37 mm
Hardness of tread (A)	80 Shore A

## HOUSING

Material fork	Steel sheet, heavy
Fork shape	Broad
Swivel bearing	Two ball races
Offset	40 mm
Swivel radius	123 mm
Swivel interference	246 mm

## FITTING

Fitting type	Small rectangular plate
Plate length	105 mm
Plate width	80 mm
Plate hole length (Minimum)	77 mm
Plate hole length (Maximum)	80 mm
Plate hole width (Maximum)	60 mm
Plate hole diameter	9 mm

# ALPHA

3477PIO125P62

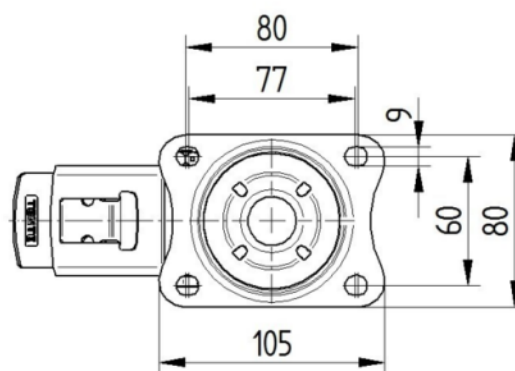
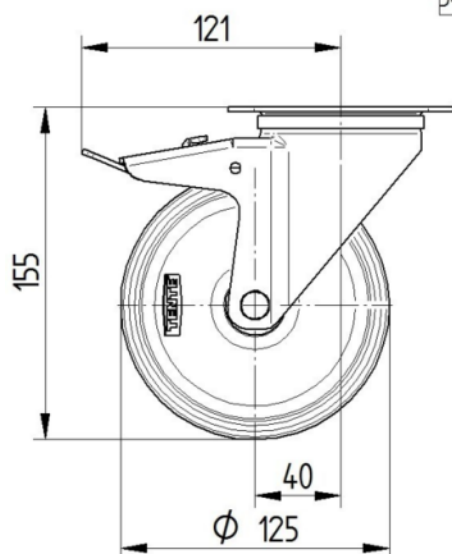
EAN 4031582305265



BETTER MOBILITY. BETTER LIFE.

## TECHNICAL DRAWINGS

3477U00125P62-neu



Platte 3470-080P62-105x80

