

LINEA

594CUAC125P30-13 RAL9002

EAN 4031582398540



BETTER MOBILITY. BETTER LIFE.

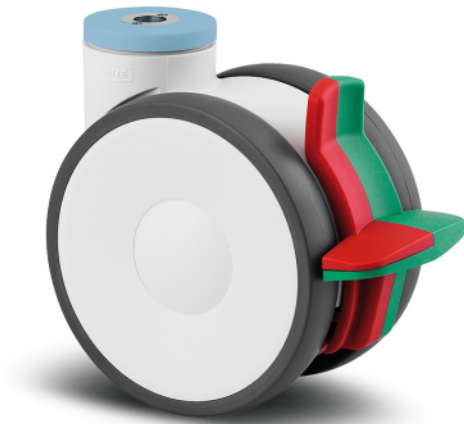


Image may differ from the original product

PERFORMANCE

Roll performance	● ● ● ● ●
Movement noise	● ● ● ○ ○
Attrition	● ● ● ● ○
Corrosion resistance	● ● ● ● ○

CORE ATTRIBUTES

Product name	Linea
Type	Swivel castor with combined lock
Standard	EN12530 - Devices Castors
Load capacity at 3 km/h	130 kg
Stainless	✓
Load capacity Static	260 kg
Temperature range (Minimum)	-20 °C
Temperature range (Maximum)	60 °C
Overall height	143 mm
Overall width	82 mm
Overall weight	0.975 kg
Certification	Tested and monitored by TÜV Süd

WHEEL

Body material	Polyamide
Tread material	Polyurethane, injected
Bearing	Precision ball bearing, stainless
Threadguards	With threadguard
Diameter	125 mm
Tread width	20 mm
Hardness of tread (A)	92 Shore A

HOUSING

Material fork	Polyamide
Fork shape	Twin wheel housing
Swivel bearing	Precision ball bearing
Colour	Grey white (RAL9002)
Offset	40 mm
Swivel radius	129 mm
Swivel interference	258 mm
Dome diameter	52 mm

FITTING

Fitting type	Bolt hole
Bolt hole diameter	13 mm
Hint	Washable beds must be sealed in the fitting area by the hospital bed manufacturer.



Deutscher Designer Club



Interzum Award



IF Design Award

LINEA

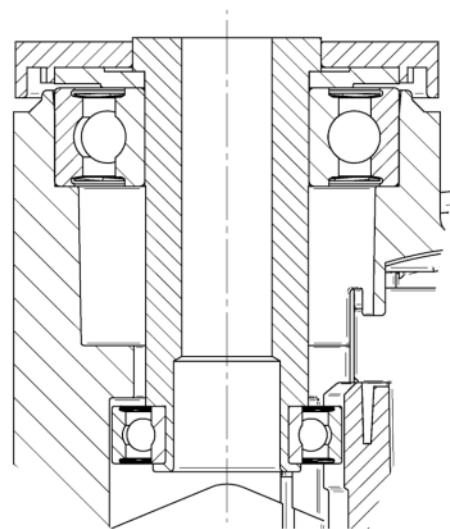
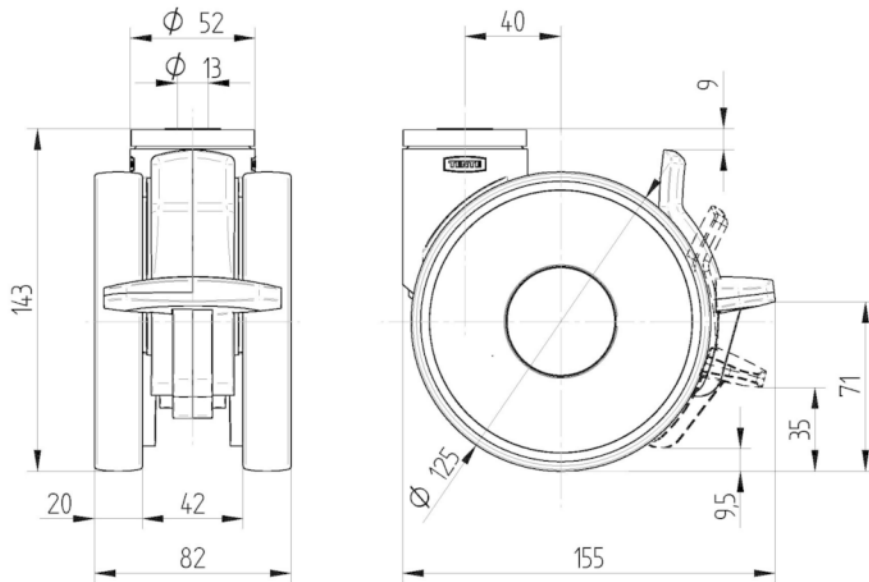
594CUAC125P30-13 RAL9002

EAN 4031582398540



BETTER MOBILITY. BETTER LIFE.

TECHNICAL DRAWINGS



Deutscher
Designer
Club



Interzum
Award



IF
Design
Award