

LEVINA

5377XSP125P50 XL

EAN 4031582404142
Order number 00061383



BETTER MOBILITY. BETTER LIFE.



Image may differ from the original product

PERFORMANCE

| | |
|----------------------|-------|
| Roll performance | ●●●○○ |
| Movement noise | ●●●●○ |
| Attrition | ●●●●○ |
| Corrosion resistance | ●●●●○ |

CORE ATTRIBUTES

| | |
|-----------------------------|-------------------------------|
| Product name | Levina |
| Type | Swivel castor with total lock |
| Standard | EN12530 - Devices Castors |
| Load capacity at 3 km/h | 100 kg |
| Electric conductive | ✓ |
| Load capacity Static | 200 kg |
| Temperature range (Minimum) | -10 °C |
| Temperature range (Maximum) | 40 °C |
| Overall height | 161 mm |
| Overall weight | 0.73 kg |

WHEEL

| | |
|-----------------------|---|
| Body material | Polyamide, electric conductive |
| Tread material | Polyurethane, injected, electric-conductive |
| Bearing | Precision ball bearing |
| Threadguards | With threadguard |
| Diameter | 125 mm |
| Tread width | 32 mm |
| Hardness of tread (D) | 40 Shore D |

HOUSING

| | |
|---------------------|----------------|
| Material fork | Polyamide |
| Fork shape | Slim |
| Swivel bearing | Two ball races |
| Offset | 38.5 mm |
| Swivel radius | 130 mm |
| Swivel interference | 260 mm |

FITTING

| | |
|-----------------------------|-------------------|
| Fitting type | Rectangular plate |
| Plate length | 77 mm |
| Plate width | 67 mm |
| Plate hole length (Minimum) | 56 mm |
| Plate hole length (Maximum) | 61.5 mm |
| Plate hole width (Minimum) | 46.5 mm |
| Plate hole width (Maximum) | 51.5 mm |
| Plate hole diameter | 8.5 mm |



Universal Design Award



Deutscher Designer Club

LEVINA

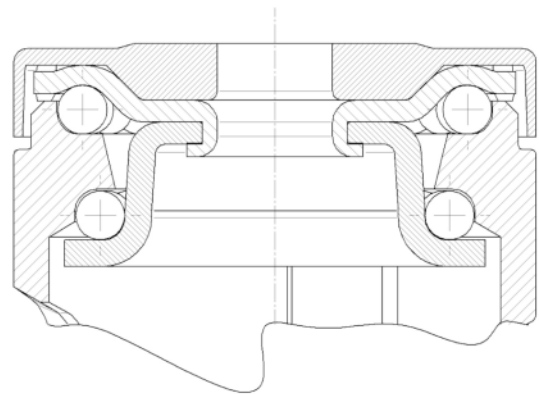
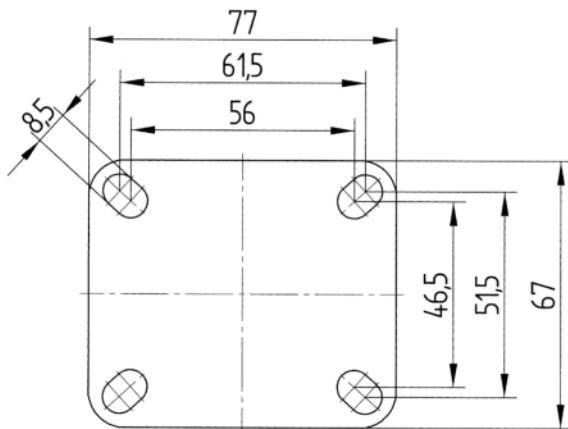
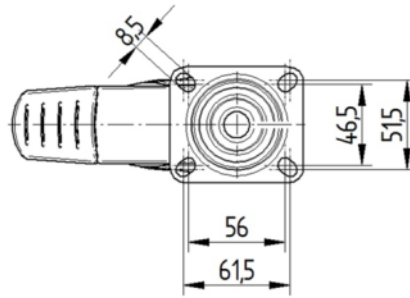
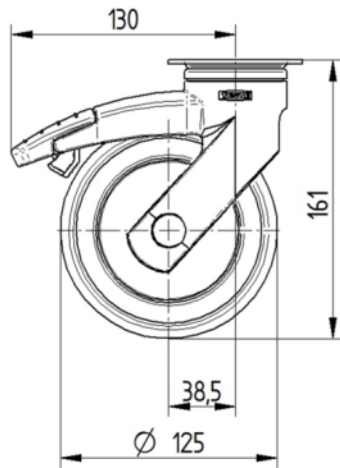
5377XSP125P50 XL

EAN 4031582404142
Order number 00061383



BETTER MOBILITY. BETTER LIFE.

TECHNICAL DRAWINGS



Universal
Design
Award



Deutscher
Designer
Club