

INTEGRAL ASSIST

ED44ETW150R36-34S35 D 9002 90°



BETTER MOBILITY. BETTER LIFE.

Order number 900000053



Image may differ from the original product

PERFORMANCE

Roll performance	● ● ● ● ●
Movement noise	● ● ● ● ○
Attrition	● ● ● ● ○
Corrosion resistance	● ● ● ● ○

CORE ATTRIBUTES

Product name	Integral assist
Type	Swivel castor with central, total or directional lock
Standard	EN12531 - Hospital Bed Castors
Load capacity at 4 km/h	150 kg
WeAssist Compatible	✓
Load capacity Static	450 kg
Temperature range (Minimum)	-10 °C
Temperature range (Maximum)	40 °C
Overall height	183 mm
Overall width	110.5 mm
Overall weight	4.682 kg

WHEEL

Body material	Steel, iron
Tread material	Polyurethane, casted
Bearing	Hub motor
Tread color	Slate grey (RAL7015)
Threadguards	Integrated threadguard
Diameter	150 mm
Tread width	50 mm
Hardness of tread (A)	85 Shore A

HOUSING

Swivel bearing	Precision ball bearing
Colour	Grey white (RAL9002)
Offset	40 mm
Swivel radius	115 mm
Swivel interference	230 mm
Dome diameter	110.5 mm

FITTING

Fitting type	Stem with cam hole for profile bars, short version
--------------	--

ADDITIONAL INFORMATION

Motor type: Brushless Direct Current (BLDC)

DRIVE UNIT TRAVEL MOTOR

Nominal voltage	25 V
Nominal output	92 W
Nominal speed	5 km/h
Directions of travel	Forwards and backwards

DRIVE UNIT ACTUATOR

Nominal speed	5 km/h
---------------	--------



Red Dot
Design
Award

INTEGRAL ASSIST

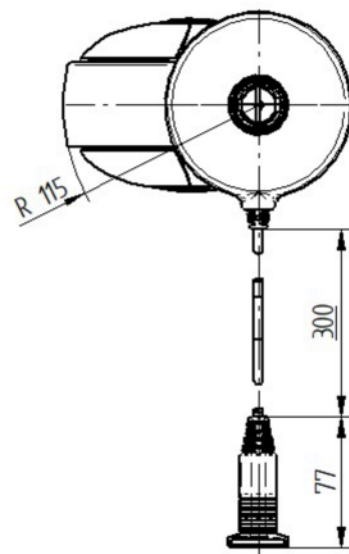
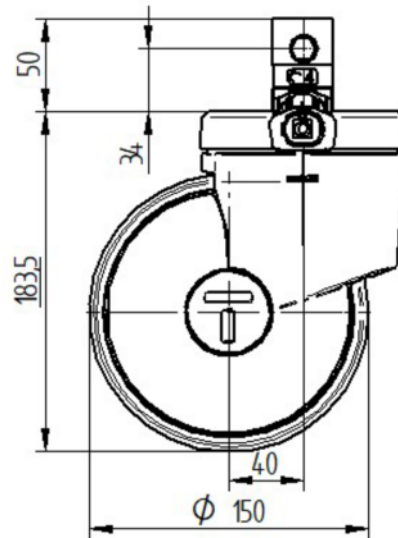
ED44ETW150R36-34S35 D 9002 90°

Order number 900000053



BETTER MOBILITY. BETTER LIFE.

TECHNICAL DRAWINGS



Red Dot
Design
Award