

ALPHA

3470ITP125P62

EAN 4031582418873



BETTER MOBILITY. BETTER LIFE.



Image may differ from the original product

PERFORMANCE

Roll performance	● ● ● ○ ○
Movement noise	● ● ● ○ ○
Attrition	● ● ● ● ○
Corrosion resistance	● ● ● ○ ○

CORE ATTRIBUTES

Product name	Alpha
Type	Swivel castor
Standard	EN12532 - Transport Equipment
Load capacity at 4 km/h	250 kg
Load capacity Static	500 kg
Temperature range (Minimum)	-20 °C
Temperature range (Maximum)	60 °C
Overall height	155 mm
Overall weight	1.095 kg

WHEEL

Body material	Aluminium
Tread material	Polyurethane, casted
Bearing	Precision ball bearing
Axle	Screwed with nut
Threadguards	Without threadguard
Diameter	125 mm
Tread width	30 mm
Hardness of tread (A)	92 Shore A

HOUSING

Material fork	Steel sheet, heavy
Fork shape	Broad
Swivel bearing	Two ball races
Offset	40 mm
Swivel radius	102.5 mm
Swivel interference	205 mm

FITTING

Fitting type	Small rectangular plate
Plate length	105 mm
Plate width	80 mm
Plate hole length (Minimum)	77 mm
Plate hole length (Maximum)	80 mm
Plate hole width (Maximum)	60 mm
Plate hole diameter	9 mm

ALPHA

3470ITP125P62

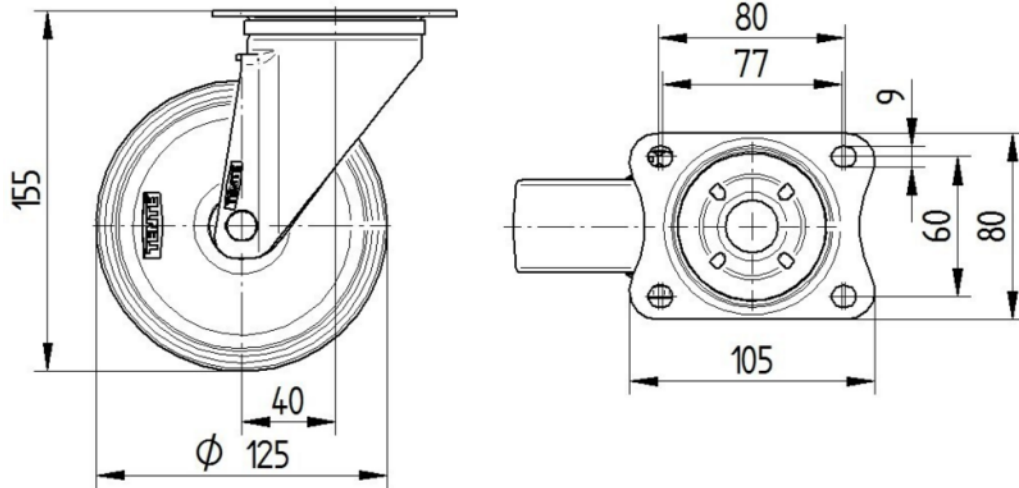
EAN 4031582418873



BETTER MOBILITY. BETTER LIFE.

TECHNICAL DRAWINGS

3470U00125P62-neu



Platte 3470-080P62-105x80

