

# ULTRATECH

ICP200x50-Ø20 soft

EAN 4031582445114



BETTER MOBILITY. BETTER LIFE.



Image may differ from the original product

## WHEEL

Tread hardness	soft
Body material	Aluminum
Tread material	Ultratech Polyurethane, casted
Bearing	Precision ball bearing
Threadguards	Without threadguard
Diameter	7.87 in
Tread width	1.97 in
Axle hole diameter	0.79 in
Hub length	2.36 in
Hardness of tread (A)	75 Shore A

## PERFORMANCE

Roll Performance	● ● ● ● ○ ○
Movement noise	● ● ● ● ○ ○
Attrition	● ● ● ● ● ○
Corrosion resistance	● ● ● ● ○ ○

## CORE ATTRIBUTES

Product name	Ultratech
Type	Wheel
Standard	EN12532 - Transport Equipment
Load capacity at 2.5 mph	1763.7 lb
Load capacity at 3.7 mph	1410.96 lb
Electric conductive	no
Stainless	no
Load capacity Static	3527.39 lb
Temperature range (Minimum)	-4 °F
Temperature range (Maximum)	140 °F
Overall weight	2.87 lb

# ULTRATECH

ICP200x50-Ø20 soft

EAN 4031582445114



BETTER MOBILITY. BETTER LIFE.

## Product Drawings

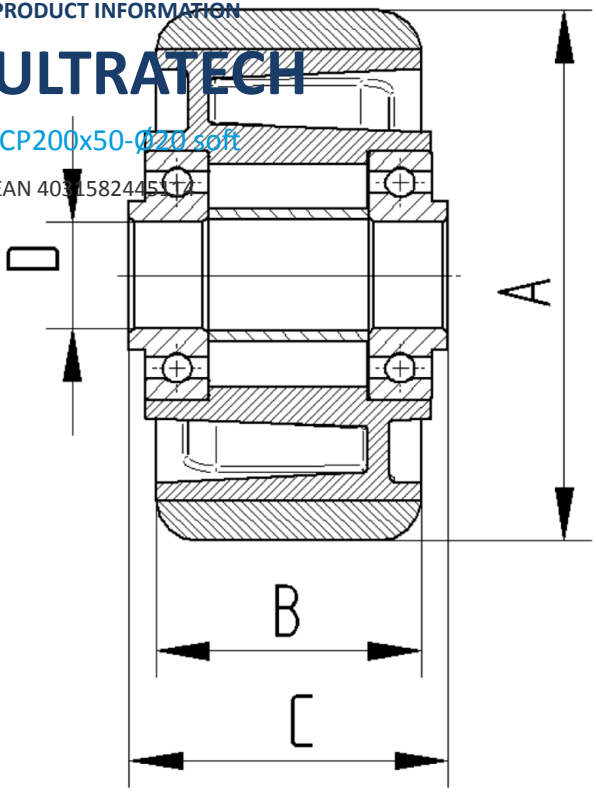


PRODUCT INFORMATION

# ULTRATECH

ICP200x50-Ø20 soft

EAN 4031582445174



BETTER MOBILITY. BETTER LIFE.