

PRODUCT INFORMATION

DURATECH

TOP 250x50-Ø25 HL60

EAN 4031582322743



BETTER MOBILITY. BETTER LIFE.



Image may differ from the original product

WHEEL

Body material	Polyamide, heavy
Tread Material Mix	Identical with wheel body
Bearing	Precision ball bearing
Wheel Color	Natural white
Threadguards	Without threadguard
Diameter	250 mm
Tread width	50 mm
Axle Hole Diameter	25 mm
Hub Length	60 mm
Body width	50 mm
Hardness of tread (D)	75 Shore D
Bearing type	6205

PERFORMANCE

Roll Performance	●●●●●
Movement Noise	●●○○○
Attrition	●●●●●
Corrosion Resistance	●●●○○

CORE ATTRIBUTES

Product Name	Duratech
Type	Wheel
Standard	EN12533 - Heavy Duty Castors
Load capacity at 4 km/h	1320 kg
Load capacity at 6 km/h	1100 kg
Electric Conductive	No
Stainless	No
Load capacity Static	2200 kg
Temperature range (Minimum)	-40 °C
Temperature range (Maximum)	80 °C
Overall weight	1.86 kg

DURATECH

TOP 250x50-Ø25 HL60

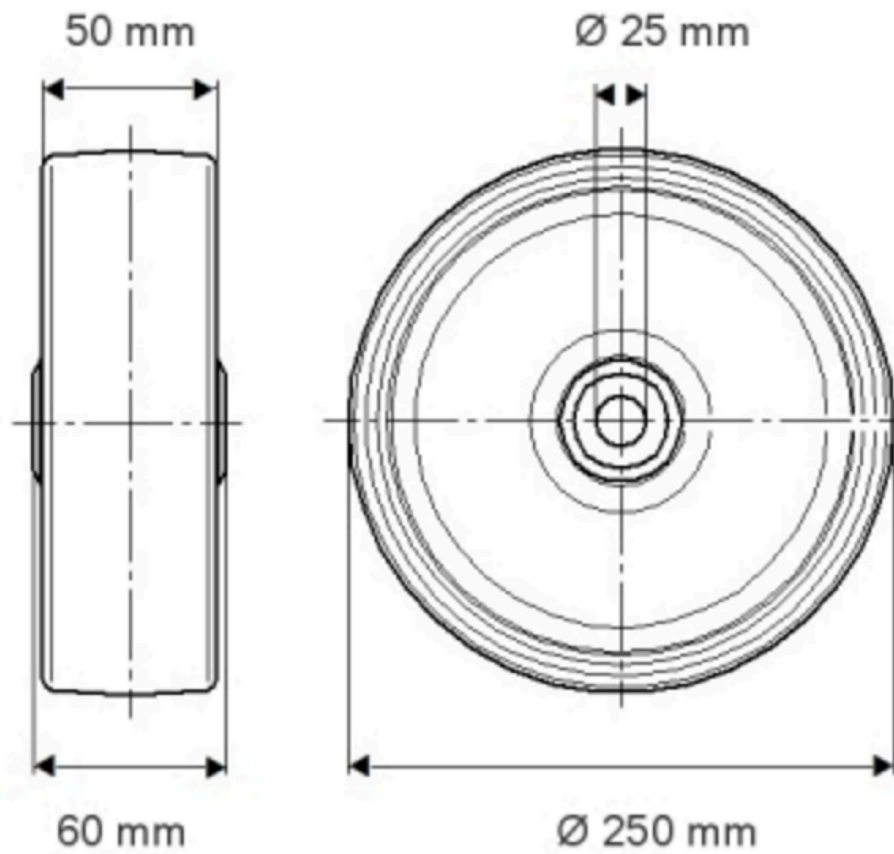
EAN 4031582322743

Order number 00801309

Product Drawings



BETTER MOBILITY. BETTER LIFE.



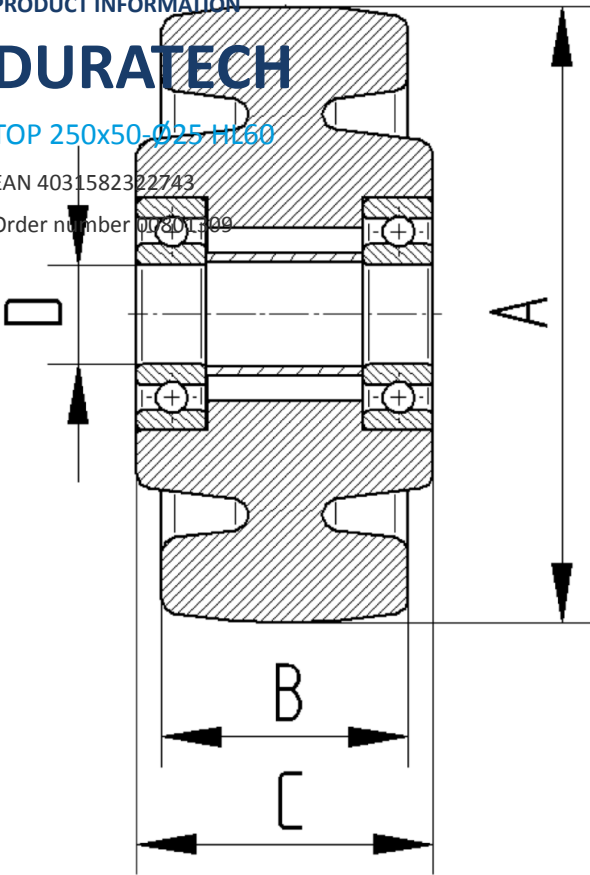
PRODUCT INFORMATION

DURATECH

TOP 250x50-Ø25 HL60

EAN 4031582322743

Order number 007801309



BETTER MOBILITY. BETTER LIFE.