

ALPHA

3470BOG100P62 TUK

EAN 4031582413403



BETTER MOBILITY. BETTER LIFE.



Image may differ from the original product

PERFORMANCE

| | |
|----------------------|-------------|
| Roll Performance | ● ● ● ● ● ○ |
| Movement noise | ● ● ● ○ ○ |
| Attrition | ● ● ● ● ● ● |
| Corrosion resistance | ● ● ● ● ● ● |

CORE ATTRIBUTES

| | |
|-----------------------------|-------------------------------|
| Product name | Alpha |
| Type | Swivel caster |
| Standard | EN12532 - Transport Equipment |
| Load capacity at 2.5 mph | 275.58 lb |
| Electric conductive | no |
| Stainless | no |
| Load capacity Static | 551.16 lb |
| Temperature range (Minimum) | -40 °F |
| Temperature range (Maximum) | 536 °F |
| Overall height | 5.04 in |
| Overall weight | 1.48 lb |

HOUSING

| | |
|---------------------|--------------------|
| Housing Material | Steel sheet, heavy |
| Fork shape | Broad |
| Swivel bearing | Two ball races |
| Housing Color | Blue passivated |
| Offset | 1.57 in |
| Swivel radius | 3.54 in |
| Swivel interference | 7.09 in |

WHEEL

| | |
|-----------------------|-----------------------------------|
| Body material | Plastic thermoset, heat-resistant |
| Tread material | Identical with wheel body |
| Bearing | Dry bearing bush |
| Axle | Screwed with nut |
| Diameter | 3.94 in |
| Tread width | 1.38 in |
| Hardness of tread (D) | 85 Shore D |

FITTING

| | |
|-----------------------------|-------------------|
| Fitting type | Rectangular plate |
| Plate length | 4.13 in |
| Plate width | 3.15 in |
| Plate hole length (Minimum) | 3.03 in |
| Plate hole length (Maximum) | 3.15 in |
| Plate hole width (Maximum) | 2.36 in |
| Plate hole diameter | 0.35 in |

ALPHA

3470BOG100P62 TUK

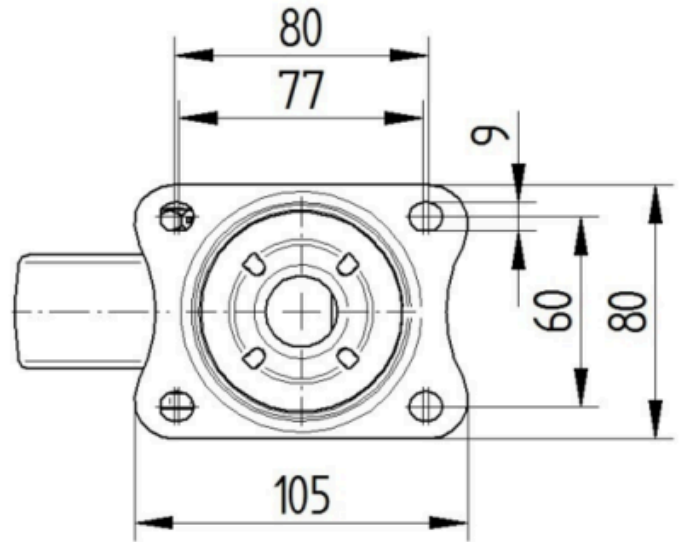
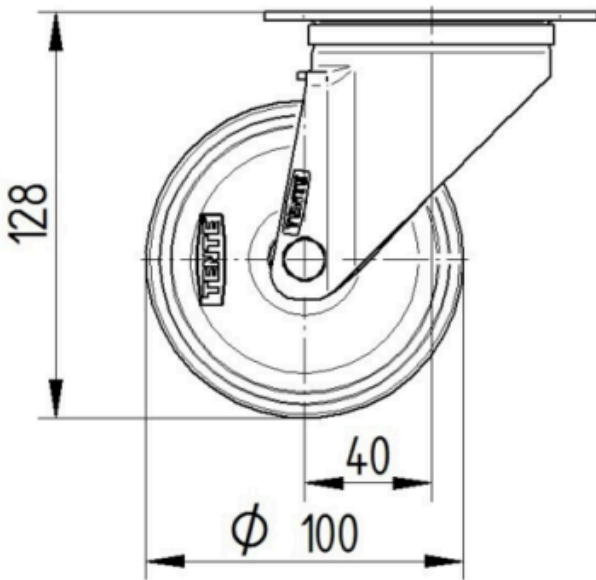
EAN 4031582413403



BETTER MOBILITY. BETTER LIFE.

Product Drawings

3470U00100P62-neu



Platte 3470-080P62-105x80

