

# E-DRIVE ULTIMATE

EDUAUFF125P60

EAN 4031582478327



BETTER MOBILITY. BETTER LIFE.

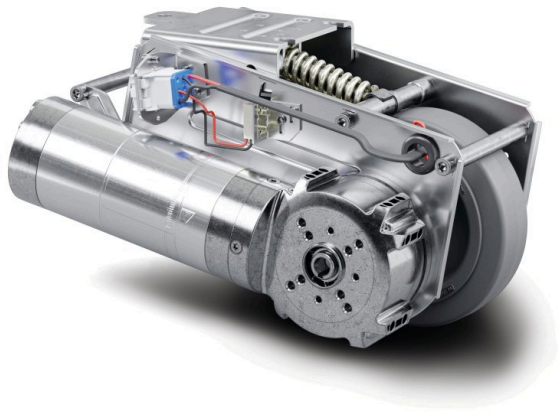


Image may differ from the original product

## PERFORMANCE

Roll Performance	● ● ● ● ● ○
Movement Noise	● ● ● ● ● ○
Attrition	● ● ● ● ● ○
Corrosion Resistance	● ● ● ● ● ○

## CORE ATTRIBUTES

Product Name	E-Drive ultimate
Type	Drive Unit
Electric Conductive	No
Stainless	No
Temperature range (Minimum)	5 °C
Temperature range (Maximum)	40 °C
Overall width	190 mm
Overall weight	8.23 kg
Length	Max. 315 mm (emergency release actuated)
Wheel diameter	125 mm, wear limit Ø 115 mm
Wheel tread	Solid rubber, non-marking, Shore A 63
Wheel width	35 mm
Width	178 mm
Maximum thrust force	32
Maximum lifting force / contact pressure force	400
Height in home position	140 mm
Installation height	170 mm
Emergency release	Mechanical
Protection type	IPX4 (splash water from all sides, all plugs plugged in)
Permissible ambient temperature	Operating temperature 5 °C to 40 °C, air humidity 90 %, non-condensing
Weight	8 kg
Maximum speed	4 km/h
Floor distance	30 mm
Ground unevenness (Minimum)	-15 mm
Ground unevenness (Maximum)	15 mm
Permissible storage temperature (Minimum)	-10 °C
Permissible storage temperature (Maximum)	45 °C

# E-DRIVE ULTIMATE

EDUAUFF125P60

EAN 4031582478327

Order number 00066143

## HOUSING

Housing Material	Electric
Fork shape	Drive
Housing Color	Blue passivated

## WHEEL

Body material	Polyamide
Tread Material Mix	Elastic tire, non-marking, vulcanized
Bearing	Flanged wheel
Wheel Color	Silver grey (RAL7001)
Diameter	125 mm
Tread width	40 mm
Body width	40 mm
Hardness of tread (A)	63 Shore A

## FITTING

Fitting type	Rectangular plate
--------------	-------------------



BETTER MOBILITY. BETTER LIFE.

# E-DRIVE ULTIMATE

EDUAUFF125P60

EAN 4031582478327

Order number 00066143  
Product Drawings



BETTER MOBILITY. BETTER LIFE.

