

PRODUCT INFORMATION

# PURETECH

FVP 200x75-Ø25 HL90

EAN 4031582365412



BETTER MOBILITY. BETTER LIFE.



Image may differ from the original product

## WHEEL

Tread hardness	soft
Body material	Cast iron
Tread Material Mix	Solid rubber, black
Bearing	Precision ball bearing
Wheel Color	Jet black (similar RAL9005)
Threadguards	With threadguard
Diameter	200 mm
Tread width	75 mm
Axle Hole Diameter	25 mm
Hub Length	90 mm
Body width	75 mm
Hardness of tread (A)	68 Shore A

## PERFORMANCE

Roll Performance	● ● ● ○ ○ ○
Movement Noise	● ● ● ● ●
Attrition	● ● ● ● ○ ○
Corrosion Resistance	● ● ● ○ ○

## CORE ATTRIBUTES

Product Name	Puretech
Type	Wheel
Standard	EN12533 - Heavy Duty Castors
Load capacity at 4 km/h	600 kg
Load capacity at 6 km/h	500 kg
Electric Conductive	No
Stainless	No
Load capacity Static	1000 kg
Temperature range (Minimum)	-20 °C
Temperature range (Maximum)	80 °C
Overall weight	5.89 kg

# PURETECH

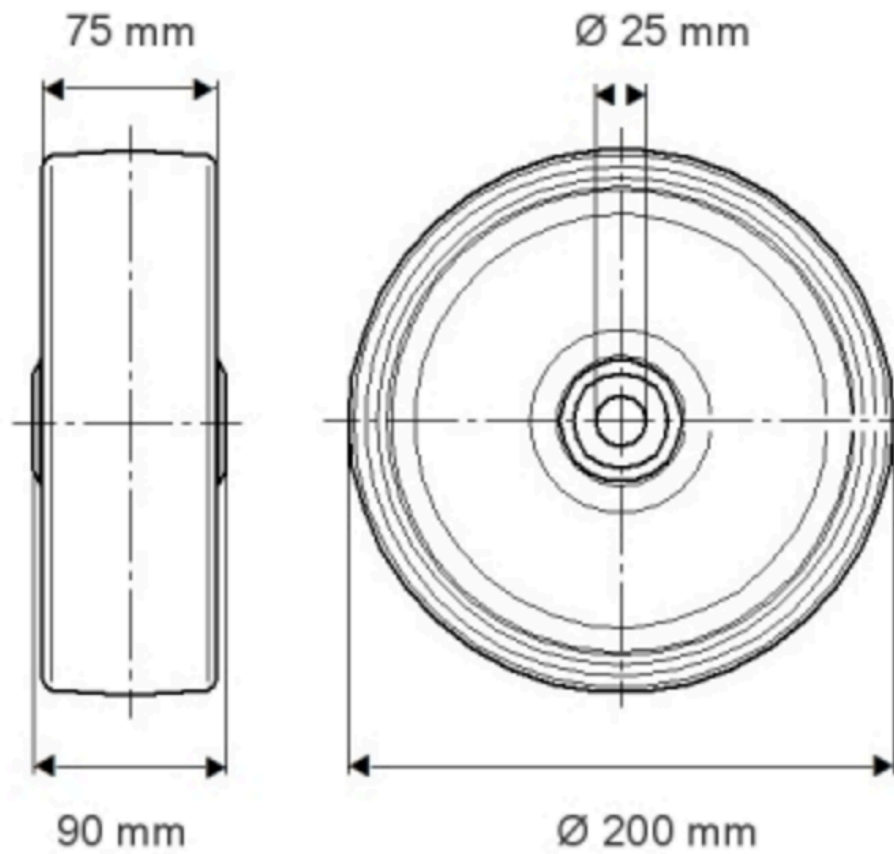
FVP 200x75-Ø25 HL90

EAN 4031582365412

Order number 00828528  
Product Drawings



BETTER MOBILITY. BETTER LIFE.



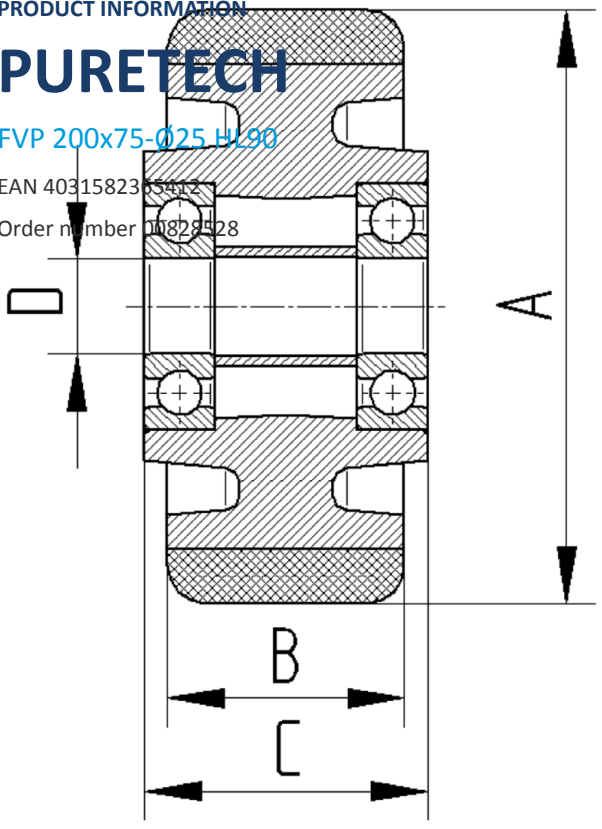
PRODUCT INFORMATION

# PURETECH

FVP 200x75-Ø25 H190

EAN 4031582365412

Order number 00829528



BETTER MOBILITY. BETTER LIFE.