

# INTEGRAL TWIN

2940UAP125R05-32 9002 M6/7

EAN 4031582302493  
Order number 00033737



BETTER MOBILITY. BETTER LIFE.



Image may differ from the original product

## PERFORMANCE

Roll performance	● ● ● ● ●
Movement noise	● ● ● ○ ○
Attrition	● ● ● ● ○
Corrosion resistance	● ● ● ○ ○

## CORE ATTRIBUTES

Product name	Integral twin
Type	Swivel castor
Standard	EN12531 - Hospital Bed Castors
Load capacity at 3 km/h	125 kg
Load capacity at 4 km/h	125 kg
Load capacity Static	375 kg
Temperature range (Minimum)	-25 °C
Temperature range (Maximum)	80 °C
Overall height	150 mm
Overall width	63 mm
Overall weight	1.176 kg
Certification	Tested and monitored by TÜV Süd

## WHEEL

Body material	Polyamide
Tread material	Polyurethane, injected
Bearing	Precision ball bearing
Wheel color	Grey white (RAL9002)
Threadguards	With threadguard
Diameter	125 mm
Tread width	12 mm
Body width	12 mm
Hardness of tread (A)	92 Shore A
Hardness of tread (D)	42 Shore D

## HOUSING

Material fork	Steel sheet, medium
Fork shape	Twin wheel housing
Swivel bearing	Precision ball bearing
Colour	Grey white (RAL9002)
Offset	37.5 mm
Swivel radius	103 mm
Swivel interference	206 mm
Dome diameter	61.5 mm

## FITTING

Fitting type	Solid stem, round
Bolt diameter	32 mm
Bolt length	45 mm
Bolt thread position	7 mm
Bolt mounting holes quantity	2



German Design Award



Red Dot Design Award

# INTEGRAL TWIN

2940UAP125R05-32 9002 M6/7

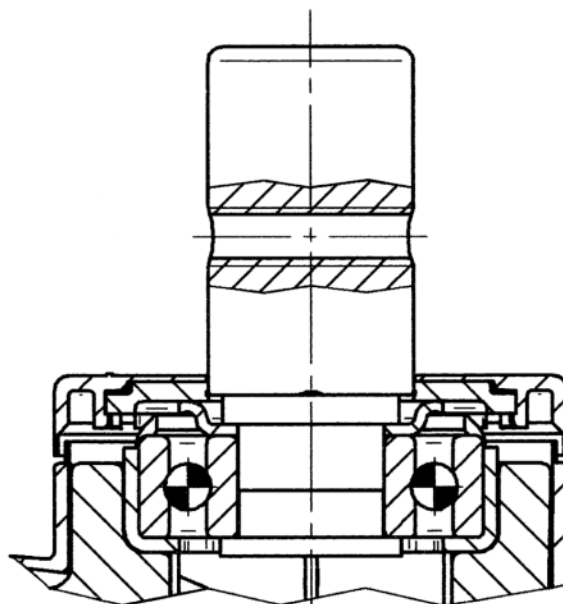
EAN 4031582302493  
Order number 00033737



BETTER MOBILITY. BETTER LIFE.

## TECHNICAL DRAWINGS

---



German  
Design  
Award



Red Dot  
Design  
Award