

INTEGRAL

2046XSX200R26-28D45 D RAL9002 4XM8

EAN 4031582444834



BETTER MOBILITY. BETTER LIFE.



Image may differ from the original product

PERFORMANCE

Roll performance	● ● ● ○ ○
Movement noise	● ● ● ○ ○
Attrition	● ● ● ○ ○
Corrosion resistance	● ● ● ○ ○

CORE ATTRIBUTES

Product name	Integral
Type	Swivel castor with central, total lock
Standard	similar EN12531- Hospital Bed Castors
Load capacity at 3 km/h	150 kg
Load capacity at 4 km/h	150 kg
Electric conductive	✓
Load capacity Static	300 kg
Temperature range (Minimum)	-30 °C
Temperature range (Maximum)	80 °C
Overall height	229 mm
Overall weight	1.68 kg
Certification	Tested and monitored by TÜV Süd

WHEEL

Body material	Polyamide, electric conductive
Tread material	Polyurethane, injected, electric-conductive
Bearing	Precision ball bearing, sealed
Threadguards	Integrated threadguard
Diameter	200 mm
Tread width	35 mm
Hardness of tread (D)	59 Shore D

HOUSING

Material fork	Steel sheet, medium
Fork shape	Closed
Swivel bearing	Precision ball bearing
Colour	Grey white (RAL9002)
Offset	60 mm
Swivel radius	160 mm
Swivel interference	320 mm

FITTING

Brake cam	D-profile cam
Fitting type	Stem with cam hole for profile bars
Bolt diameter	28 mm
Bolt length	96 mm
Hint	Washable beds must be sealed in the fitting area by the hospital bed manufacturer.



IF Design Award



Red Dot Design Award

INTEGRAL

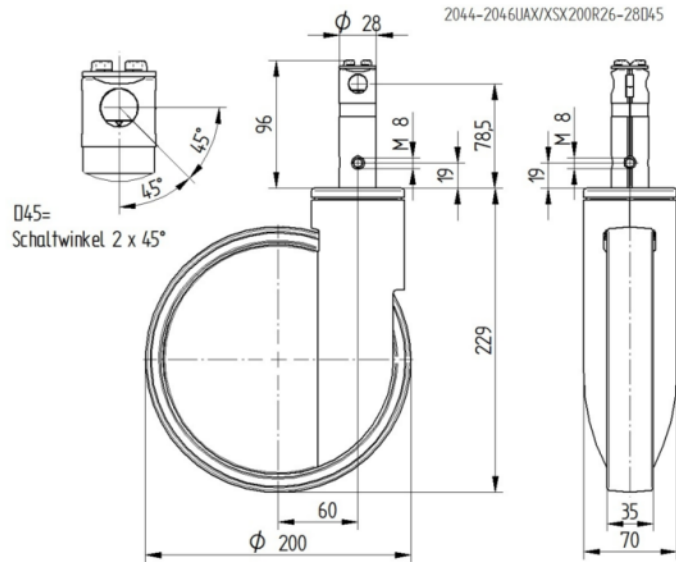
2046XSX200R26-28D45 D RAL9002 4XM8

EAN 4031582444834



BETTER MOBILITY. BETTER LIFE.

TECHNICAL DRAWINGS



IF
Design
Award



Red Dot
Design
Award