

PRODUCT INFORMATION

NOVATECH

FTP200x80-Ø25 HL90

EAN 4031582329681



BETTER MOBILITY. BETTER LIFE.



Image may differ from the original product

WHEEL

Body material	Casting
Tread material	Polyurethane, casted
Bearing	Precision ball bearing
Threadguards	With threadguard
Diameter	7.87 in
Tread width	3.15 in
Axle hole diameter	0.98 in
Hub length	3.54 in
Hardness of tread (A)	92 Shore A

PERFORMANCE

Roll Performance	●●●●○
Movement noise	●●●○○
Attrition	●●●●○
Corrosion resistance	●●●○○

CORE ATTRIBUTES

Product name	Novatech
Type	Wheel
Standard	EN12533 - Heavy Duty Castors
Load capacity at 2.5 mph	3703.76 lb
Load capacity at 3.7 mph	3086.47 lb
Electric conductive	no
Stainless	no
Load capacity Static	7407.52 lb
Temperature range (Minimum)	-4 °F
Temperature range (Maximum)	140 °F
Overall weight	15.56 lb

NOVATECH

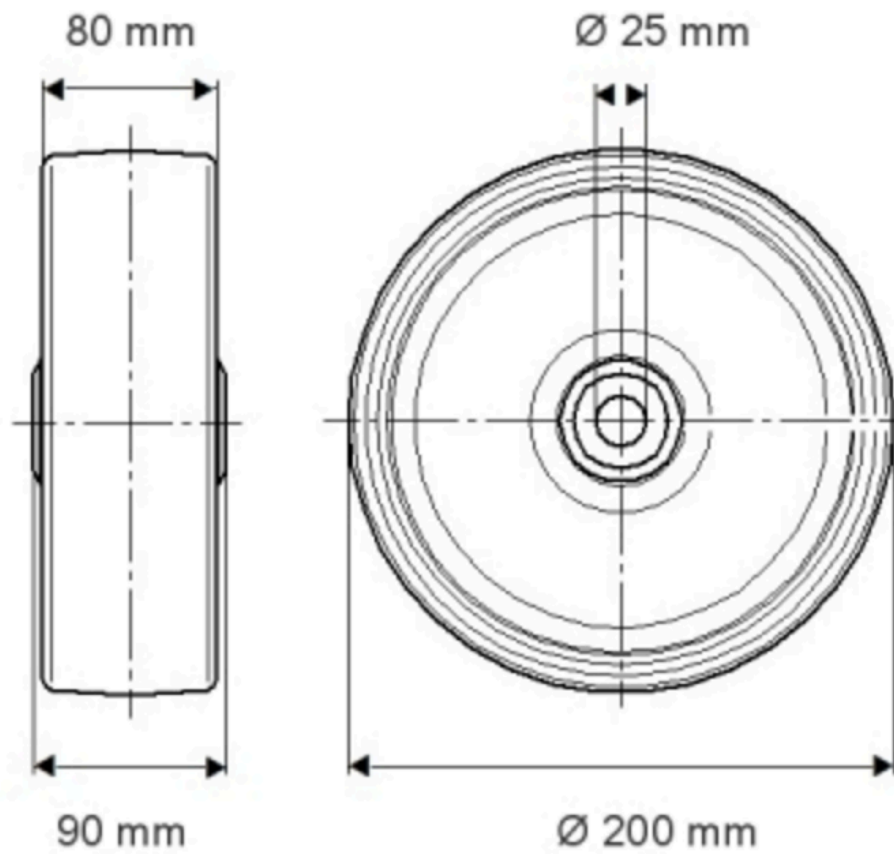
FTP200x80-Ø25 HL90

EAN 4031582329681



BETTER MOBILITY. BETTER LIFE.

Product Drawings

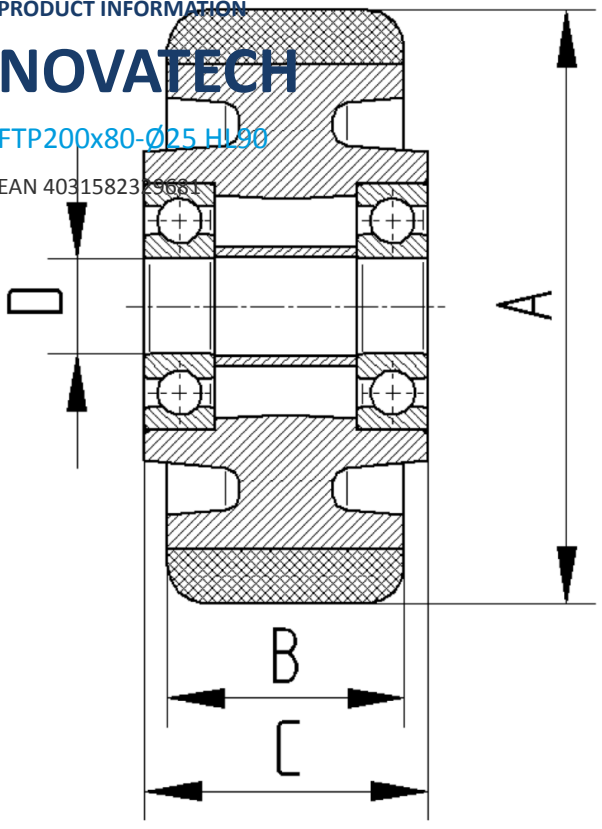


PRODUCT INFORMATION

NOVATECH

FTP200x80-Ø25 HI 90

EAN 4031582329681



BETTER MOBILITY. BETTER LIFE.