

# LINEA LIGHT

5920UAI065L51-10 RAL9002

EAN 4031582419252



BETTER MOBILITY. BETTER LIFE.



Image may differ from the original product

## PERFORMANCE

Roll performance	● ● ● ○ ○
Movement noise	● ● ● ○ ○
Attrition	● ● ● ○ ○
Corrosion resistance	● ● ● ● ○

## CORE ATTRIBUTES

Product name	Linea light
Type	Swivel castor
Standard	EN12528 - Furniture Castors
Load capacity at 1.8 mph	132.28 lb
Load capacity Static	264.55 lb
Temperature range (Minimum)	14 °F
Temperature range (Maximum)	104 °F
Overall height	2.68 in
Overall width	1.81 in
Overall weight	0.23 lb

## WHEEL

Body material	Polyamide
Tread material	Polyurethane, injected
Bearing	Plain bearing with spacer tube
Threadguards	Without threadguard
Diameter	2.56 in
Tread width	0.55 in
Hardness of tread (A)	87 Shore A

## HOUSING

Material	Polyamide
Fork shape	Twin wheel housing
Swivel bearing	Stem, swiveling
Color	Gray white (RAL9002)
Swivel radius	2.2 in
Swivel interference	4.41 in
Dome diameter	0.91 in

## FITTING

Fitting type	Blind hole for B10 fitting
Bolt hole diameter	0.39 in



Deutscher Designer Club



Interzum Award



IF Design Award

# LINEA LIGHT

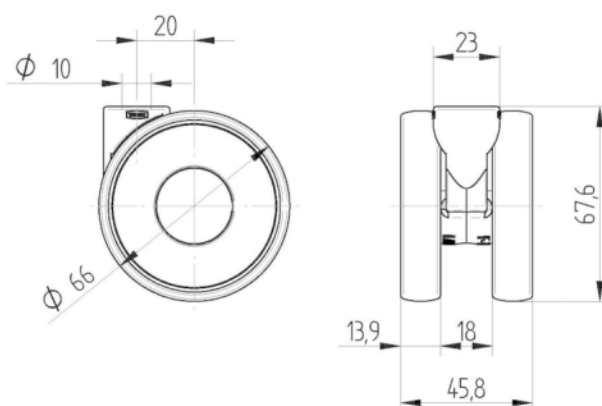
5920UAI065L51-10 RAL9002

EAN 4031582419252



BETTER MOBILITY. BETTER LIFE.

## TECHNICAL DRAWINGS



Deutscher  
Designer  
Club



Interzum  
Award



IF  
Design  
Award