

INTEGRAL

2044XSX125R26-28S45 D 9002 W

EAN 4031582340693
Order number 00002861



BETTER MOBILITY. BETTER LIFE.



Image may differ from the original product

PERFORMANCE

Roll performance	● ● ● ○ ○
Movement noise	● ● ● ○ ○
Attrition	● ● ● ● ○
Corrosion resistance	● ● ● ○ ○

CORE ATTRIBUTES

Product name	Integral
Type	Swivel castor with central, total or directional lock
Standard	EN12531 - Hospital Bed Castors
Load capacity at 3 km/h	150 kg
Load capacity at 4 km/h	150 kg
Electric conductive	✓
Load capacity Static	450 kg
Temperature range (Minimum)	-25 °C
Temperature range (Maximum)	80 °C
Overall height	158 mm
Overall width	62 mm
Overall weight	0.946 kg
Certification	Tested and monitored by TÜV Süd



IF
Design
Award



Red Dot
Design
Award

WHEEL

Body material	Polyamide, electric conductive
Tread material	Polyurethane, injected, electric-conductive
Bearing	Precision ball bearing, sealed
Tread color	Slate grey (similar RAL7015)
Wheel color	Slate grey (RAL7015)
Threadguards	Integrated threadguard
Diameter	125 mm
Tread width	32 mm
Body width	32 mm
Hardness of tread (A)	91 Shore A
Hardness of tread (D)	40 Shore D

HOUSING

Material fork	Steel sheet, medium
Fork shape	Closed
Swivel bearing	Precision ball bearing
Colour	Grey white (RAL9002)
Offset	35 mm
Swivel radius	97.5 mm
Swivel interference	195 mm
Dome diameter	62 mm

FITTING

Brake cam	hex cam
Fitting type	Stem with cam hole for profile bars
Bolt diameter	28 mm
Bolt length	96 mm
Bolt thread position	19 mm
Bolt mounting holes quantity	2
Hint	Washable beds must be sealed in the fitting area by the hospital bed manufacturer.

ADDITIONAL INFORMATION

PRODUCT INFORMATION

INTEGRAL

2044XSX125R26-28S45 D 9002 W

EAN 4031582340693

Wabradec 000286-BWA



BETTER MOBILITY. BETTER LIFE.



IF
Design
Award



Red Dot
Design
Award

INTEGRAL

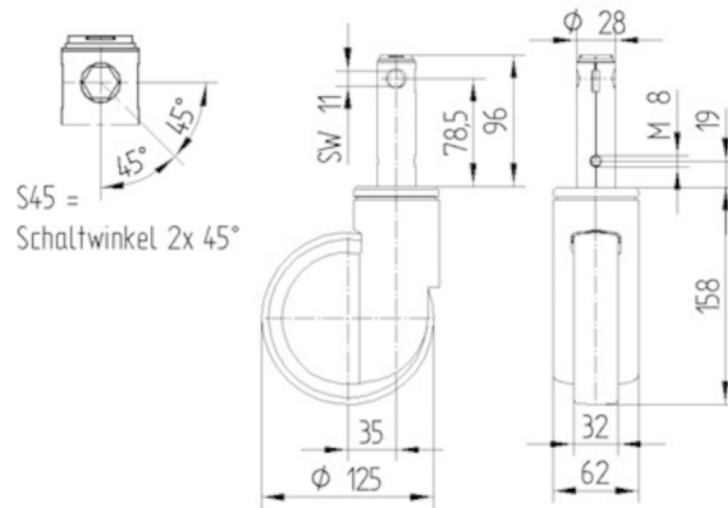
2044XSX125R26-28S45 D 9002 W

EAN 4031582340693
Order number 00002861



BETTER MOBILITY. BETTER LIFE.

TECHNICAL DRAWINGS



IF
Design
Award



Red Dot
Design
Award