

LEVINA STAINLESS

5381PJM125P30-13 XL

EAN 4031582382112



BETTER MOBILITY. BETTER LIFE.



Image may differ from the original product

PERFORMANCE

Roll performance	●●●○○
Movement noise	●●●●○
Attrition	●●●●○
Corrosion resistance	●●●●○

CORE ATTRIBUTES

Product name	Levina stainless
Type	Swivel castor with directional lock
Standard	EN12530 - Devices Castors
Load capacity at 3 km/h	100 kg
Stainless	✓
Load capacity Static	200 kg
Temperature range (Minimum)	-10 °C
Temperature range (Maximum)	40 °C
Overall height	161 mm
Overall weight	0.587 kg

WHEEL

Body material	Polypropylene
Tread material	Thermoplastic rubber
Bearing	Plain bearing, stainless
Threadguards	With threadguard
Diameter	125 mm
Tread width	32 mm
Hardness of tread (A)	87 Shore A

HOUSING

Material fork	Polyamide
Fork shape	Slim
Swivel bearing	Two ball races, reinforced or stainless
Offset	38.5 mm
Swivel radius	130 mm
Swivel interference	260 mm

FITTING

Fitting type	Bolt hole
Bolt hole diameter	13 mm



Universal Design Award



Deutscher Designer Club

LEVINA STAINLESS

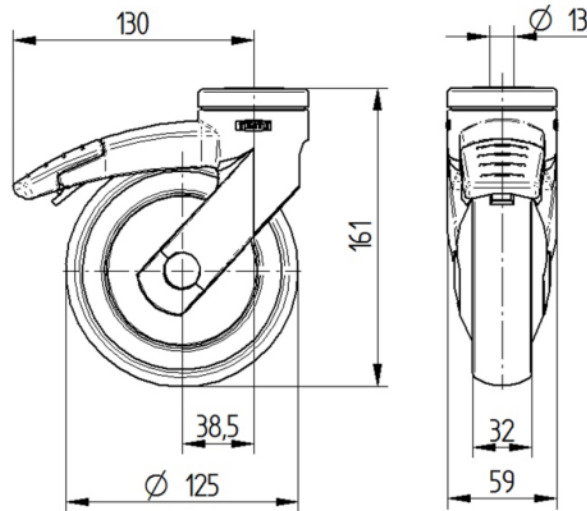
5381PJM125P30-13 XL

EAN 4031582382112



BETTER MOBILITY. BETTER LIFE.

TECHNICAL DRAWINGS



Universal
Design
Award



Deutscher
Designer
Club