

# ALPHA

3470PJP125P62 65A

EAN 4031582409727  
Order number 00061811



BETTER MOBILITY. BETTER LIFE.



Image may differ from the original product

## PERFORMANCE

Roll performance	● ● ● ○ ○
Movement noise	● ● ● ● ●
Attrition	● ● ● ○ ○
Corrosion resistance	● ● ● ○ ○

## CORE ATTRIBUTES

Product name	Alpha
Type	Swivel castor
Standard	EN12532 - Transport Equipment
Load capacity at 4 km/h	180 kg
Load capacity Static	360 kg
Temperature range (Minimum)	-20 °C
Temperature range (Maximum)	60 °C
Overall height	155 mm
Overall width	75 mm
Overall weight	0.959 kg

## WHEEL

Body material	Polypropylene
Tread hardness	soft
Tread material	Thermoplastic rubber
Bearing	Precision ball bearing
Axle	Screwed with nut
Wheel color	Silver grey (RAL7001)
Threadguards	With threadguard
Diameter	125 mm
Tread width	32 mm
Body width	40 mm
Hardness of tread (A)	65 Shore A

## HOUSING

Material fork	Steel sheet, heavy
Fork shape	Broad
Swivel bearing	Two ball races
Colour	Blue passivated
Offset	40 mm
Swivel radius	102.5 mm
Swivel interference	205 mm
Dome diameter	75 mm

## FITTING

Fitting type	Small rectangular plate
Plate length	105 mm
Plate width	80 mm
Plate hole length (Minimum)	77 mm
Plate hole length (Maximum)	60 mm
Plate hole width (Minimum)	77 mm
Plate hole width (Maximum)	80 mm
Plate hole diameter	9 mm

# ALPHA

3470PJP125P62 65A

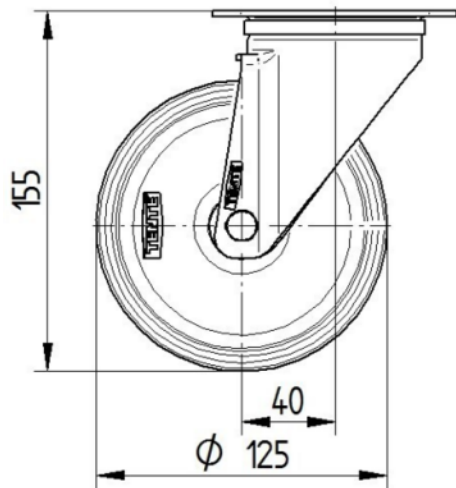
EAN 4031582409727  
Order number 00061811



BETTER MOBILITY. BETTER LIFE.

## TECHNICAL DRAWINGS

3470U00125P62-neu



Platte 3470-080P62-105x80

