

# LINEA

594CUAC125R05-22 RAL9002

EAN 4031582398571



BETTER MOBILITY. BETTER LIFE.

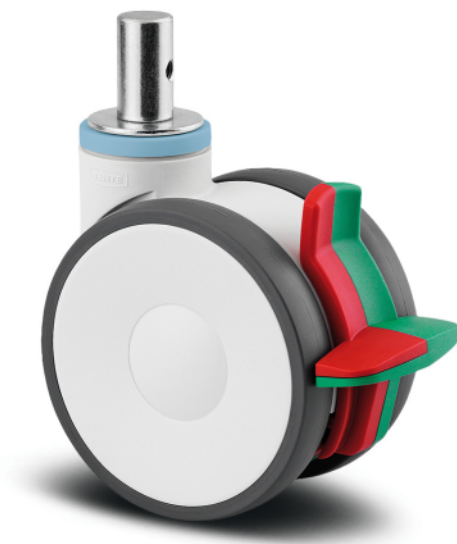


Image may differ from the original product

## PERFORMANCE

Roll performance ●●●●●

Movement noise ●●●○○

Attrition ●●●●○

Corrosion resistance ●●●●○

## CORE ATTRIBUTES

Product name	Linea
Type	Swivel castor with combined lock
Standard	EN12530 - Devices Castors
Load capacity at 1.8 mph	286.6 lb
Stainless	✓
Load capacity Static	573.2 lb
Temperature range (Minimum)	-4 °F
Temperature range (Maximum)	140 °F
Overall height	5.71 in
Overall width	3.23 in
Overall weight	2.58 lb
Certification	Tested and monitored by TÜV Süd

## WHEEL

Body material	Polyamide
Tread material	Polyurethane, injected
Bearing	Precision ball bearing, stainless
Threadguards	With threadguard
Diameter	4.92 in
Tread width	0.79 in
Hardness of tread (A)	92 Shore A

## HOUSING

Material	Polyamide
Fork shape	Twin wheel housing
Swivel bearing	Precision ball bearing
Color	Gray white (RAL9002)
Offset	1.57 in
Swivel radius	5.08 in
Swivel interference	10.16 in
Dome diameter	2.05 in

## FITTING

Fitting type	Solid stem, round
Bolt diameter	0.87 in
Bolt length	1.57 in
Hint	Washable beds must be sealed in the fitting area by the hospital bed manufacturer.



Deutscher Designer Club



Interzum Award



IF Design Award

# LINEA

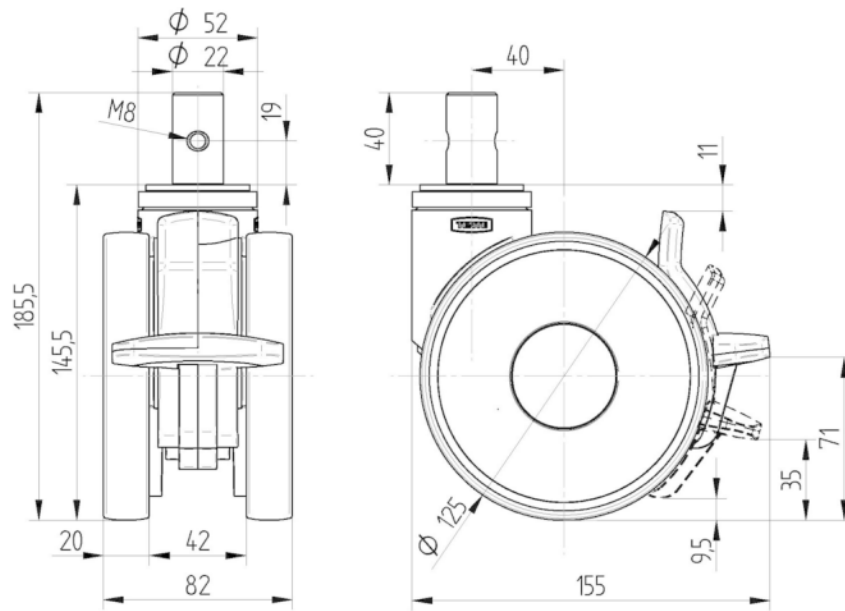
594CUAC125R05-22 RAL9002

EAN 4031582398571



BETTER MOBILITY. BETTER LIFE.

## TECHNICAL DRAWINGS



Deutscher  
Designer  
Club



Interzum  
Award



IF  
Design  
Award