

PRODUCT INFORMATION

NOVATECH

ITP125x40-Ø15-HL40-80shA

EAN 4031582481488



BETTER MOBILITY. BETTER LIFE.



Image may differ from the original product

WHEEL

Body material	Aluminium
Tread Material Mix	Polyurethane, casted
Bearing	Precision ball bearing
Threadguards	Without threadguard
Diameter	125 mm
Tread width	40 mm
Axle Hole Diameter	15 mm
Hub Length	40 mm
Hardness of tread (A)	80 Shore A

PERFORMANCE

Roll Performance	● ● ● ○ ○
Movement Noise	● ● ● ○ ○
Attrition	● ● ● ● ○
Corrosion Resistance	● ● ● ○ ○

CORE ATTRIBUTES

Product Name	Novatech
Type	Wheel
Standard	EN12532 - Transport Equipment
Load capacity at 4 km/h	250 kg
Electric Conductive	No
Stainless	No
Load capacity Static	500 kg
Temperature range (Minimum)	-10 °C
Temperature range (Maximum)	60 °C
Overall weight	0.8 kg

NOVATECH

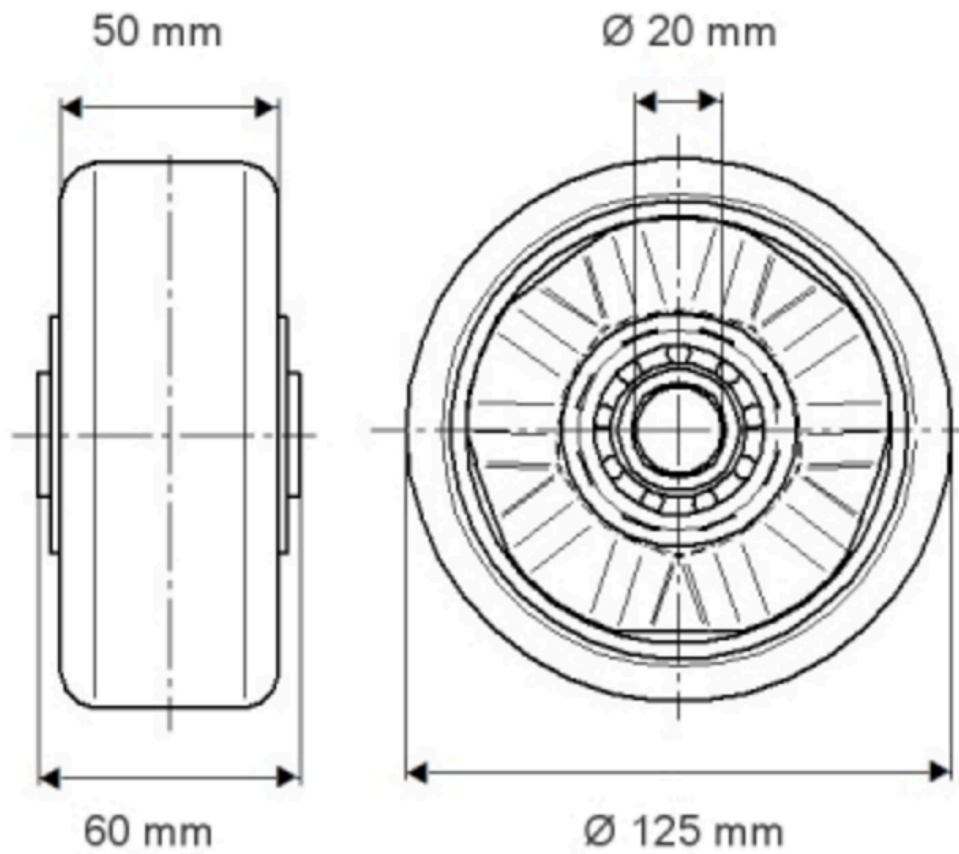
ITP125x40-Ø15-HL40-80shA

EAN 4031582481488



BETTER MOBILITY. BETTER LIFE.

Product Drawings

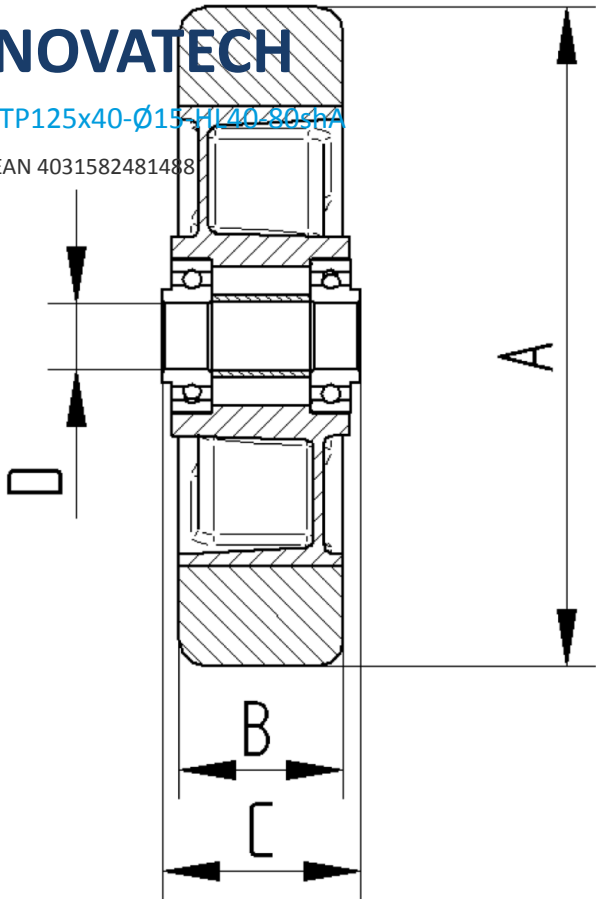


PRODUCT INFORMATION

NOVATECH

ITP125x40-Ø15-H140/80-1A

EAN 4031582481488



BETTER MOBILITY. BETTER LIFE.