

PRODUCT INFORMATION

# ELASTECH

EEZ 200x75-Ø100 DG

EAN 4031582318333



BETTER MOBILITY. BETTER LIFE.



Image may differ from the original product

### WHEEL

Tread hardness	soft
Body material	Steel, iron
Tread material	Elastic tire, black, vulcanized
Bearing	Borehole, unmachined
Wheel color	Jet black (similar RAL9005)
Diameter	7.87 in
Tread width	2.95 in
Axle hole diameter	3.94 in
Hub length	2.95 in
Body width	2.95 in
Hardness of tread (A)	68 Shore A

### PERFORMANCE

Roll Performance	● ● ● ○ ○ ○
Movement noise	● ● ● ● ● ●
Attrition	● ● ● ● ○ ○
Corrosion resistance	● ● ● ● ○ ○

### CORE ATTRIBUTES

Product name	Elastech
Type	Wheel
Standard	EN12533 - Heavy Duty Castors
Load capacity at 2.5 mph	1322.77 lb
Load capacity at 3.7 mph	1102.31 lb
Electric conductive	no
Stainless	no
Load capacity Static	2204.62 lb
Temperature range (Minimum)	-4 °F
Temperature range (Maximum)	185 °F
Overall weight	5.08 lb

# ELASTECH

EEZ 200x75-Ø100 DG

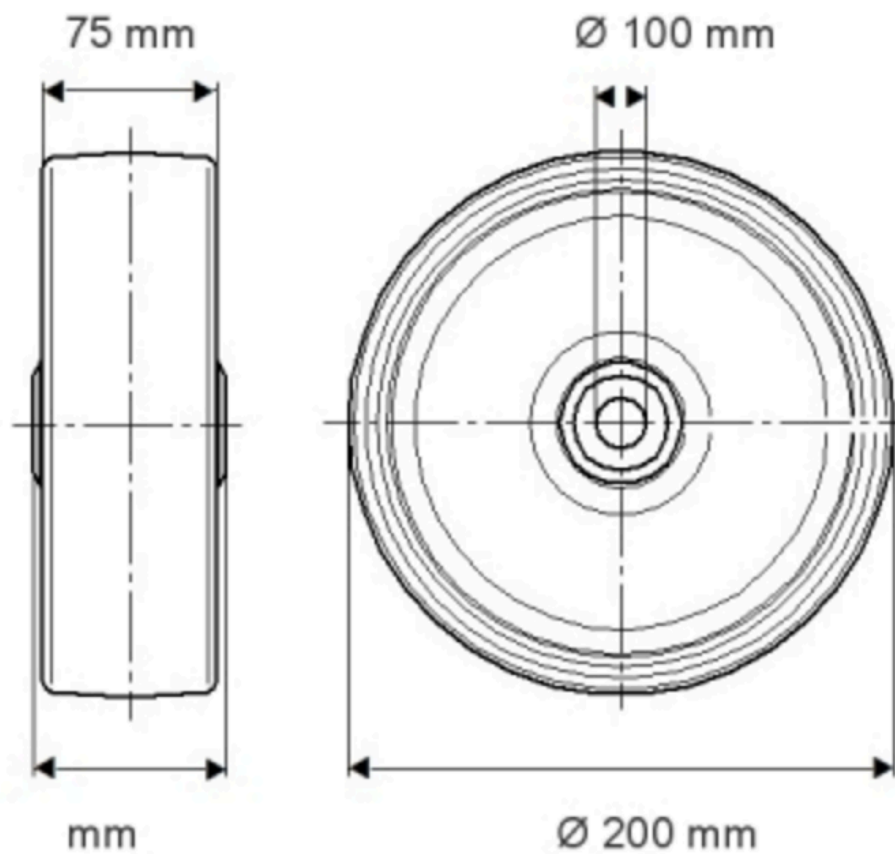
EAN 4031582318333

Order number 00830872

Product Drawings



BETTER MOBILITY. BETTER LIFE.



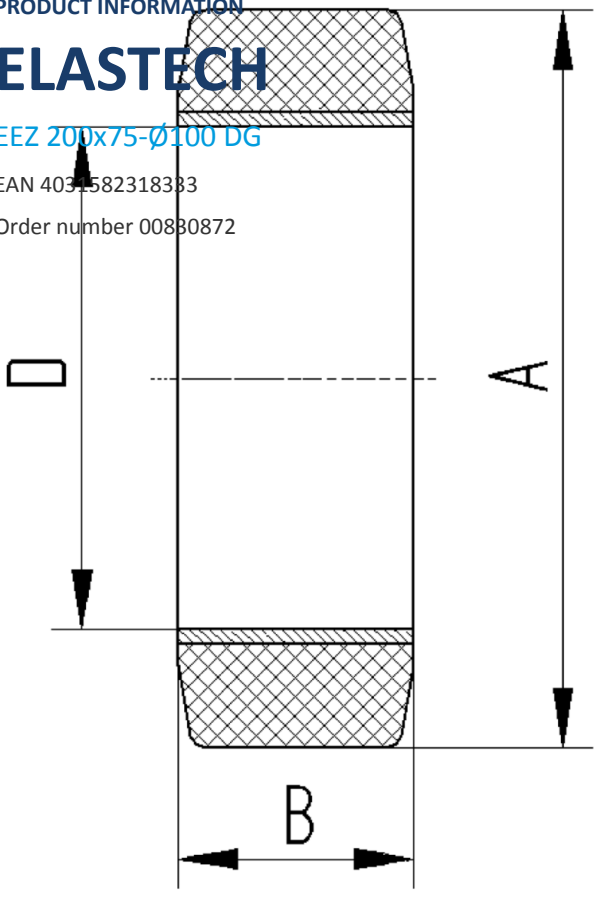
PRODUCT INFORMATION

# ELASTECH

EEZ 200x75-Ø100 DG

EAN 405582318383

Order number 00880872



BETTER MOBILITY. BETTER LIFE.