

MOUNTING PLATE

P50 / 10

EAN 4031582482379



BETTER MOBILITY. BETTER LIFE.



Image may differ from the original product

PERFORMANCE

Corrosion resistance ●●●○○

CORE ATTRIBUTES

Product name	Mounting plate
Type	Accessory

FITTING

Fitting type	Rectangular plate
Plate length	3.03 in
Plate width	2.64 in
Plate hole length (Minimum)	2.2 in
Plate hole length (Maximum)	2.42 in
Plate hole width (Minimum)	1.83 in
Plate hole width (Maximum)	2.03 in
Plate hole diameter	0.31 in



Universal Design Award



Deutscher Designer Club

MOUNTING PLATE

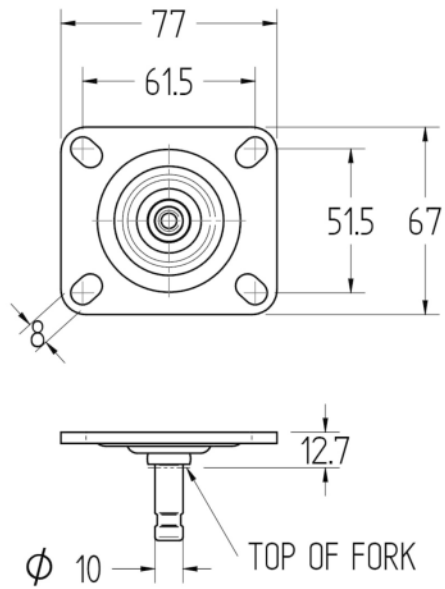
P50 / 10

EAN 4031582482379



BETTER MOBILITY. BETTER LIFE.

TECHNICAL DRAWINGS



Universal
Design
Award



Deutscher
Designer
Club