

LINEA CLINIC

5944UAC150R36-34XS S30

EAN 4031582359923



BETTER MOBILITY. BETTER LIFE.



Image may differ from the original product

PERFORMANCE

Roll performance	● ● ● ● ●
Movement noise	● ● ● ○ ○
Attrition	● ● ● ● ○
Corrosion resistance	● ● ● ● ○

CORE ATTRIBUTES

Product name	Linea clinic
Type	Swivel castor with central, total or directional lock
Standard	similar EN12531- Hospital Bed Castors
Load capacity at 1.8 mph	330.69 lb
Load capacity at 2.5 mph	330.69 lb
Stainless	✓
Load capacity Static	661.39 lb
Temperature range (Minimum)	14 °F
Temperature range (Maximum)	104 °F
Overall height	6.1 in
Overall width	2.8 in
Overall weight	2.48 lb

Certification Tested and monitored by TÜV Süd



Deutscher Designer Club



Interzum Award



IF Design Award

WHEEL

Body material	Polyamide
Tread material	Polyurethane, injected
Bearing	Precision ball bearing, stainless
Threadguards	With threadguard
Diameter	5.91 in
Tread width	0.59 in
Hardness of tread (A)	92 Shore A

HOUSING

Material	Polyamide
Fork shape	Twin wheel housing
Swivel bearing	Precision ball bearing
Offset	1.87 in
Swivel radius	4.82 in
Swivel interference	10 in

FITTING

Fitting type	Stem with cam hole for profile bars, short version
Bolt diameter	1.26 in
Bolt length	1.65 in
Hint	Washable beds must be sealed in the fitting area by the hospital bed manufacturer.

LINEA CLINIC

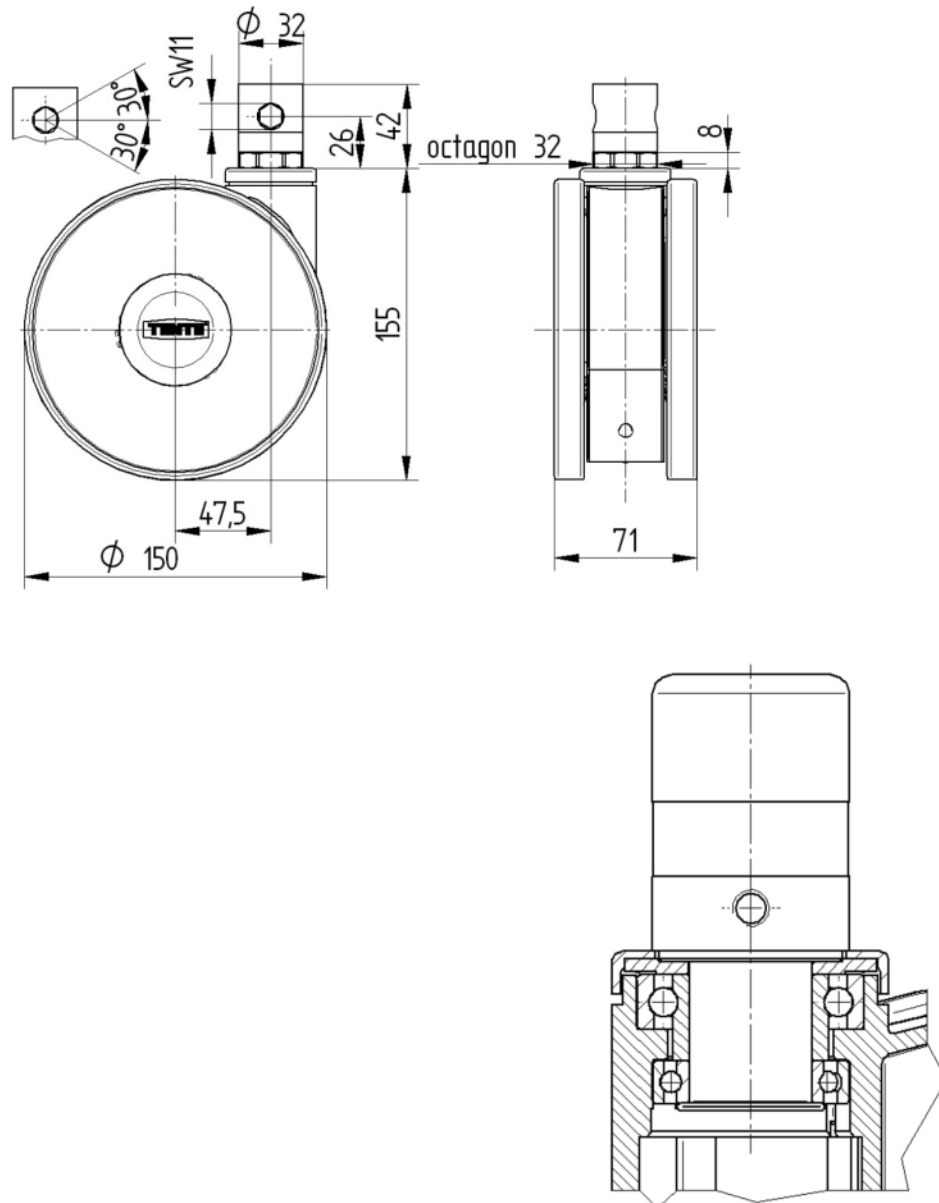
5944UAC150R36-34XS S30

EAN 4031582359923



BETTER MOBILITY. BETTER LIFE.

TECHNICAL DRAWINGS



Deutscher
Designer
Club



Interzum
Award



IF
Design
Award