

# INTEGRAL TWIN

2946UAP125R26-28S45 D 9002 4xM8

EAN 4031582302608



BETTER MOBILITY. BETTER LIFE.



Image may differ from the original product

## PERFORMANCE

Roll Performance	● ● ● ● ● ●
Movement Noise	● ● ● ○ ○
Attrition	● ● ● ● ● ○
Corrosion Resistance	● ● ● ○ ○

## CORE ATTRIBUTES

Product Name	Integral twin
Type	Swivel castor with central, total lock
Standard	EN12531 - Hospital Bed Castors
Load capacity at 3 km/h	125 kg
Load capacity at 4 km/h	125 kg
Electric Conductive	No
Stainless	No
Load capacity Static	375 kg
Temperature range (Minimum)	-25 °C
Temperature range (Maximum)	80 °C
Overall Height	150 mm
Overall width	63 mm
Overall weight	1.03 kg
Certification	Tested and monitored by TÜV Süd

## HOUSING

Housing Material	Steel sheet, medium
Fork shape	Twin wheel housing
Swivel Bearing	Precision ball bearing
Housing Color	Grey white (RAL9002)
Offset	37.5 mm
Swivel radius	103 mm
Swivel interference	206 mm
Dome diameter	61.5 mm

## WHEEL

Body material	Polyamide
Tread Material Mix	Polyurethane, injected
Bearing	Precision ball bearing
Wheel Color	Grey white (RAL9002)
Threadguards	With threadguard
Diameter	125 mm
Tread width	12 mm
Body width	12 mm
Hardness of tread (A)	92 Shore A
Hardness of tread (D)	42 Shore D

## FITTING

Brake cam	hex cam
Fitting type	Stem with cam hole for profile bars
Bolt diameter	28 mm
Bolt length	96 mm
Bolt thread position	19 mm
Bolt mounting holes quantity	4



German Design Award



Red Dot Design Award

# INTEGRAL TWIN

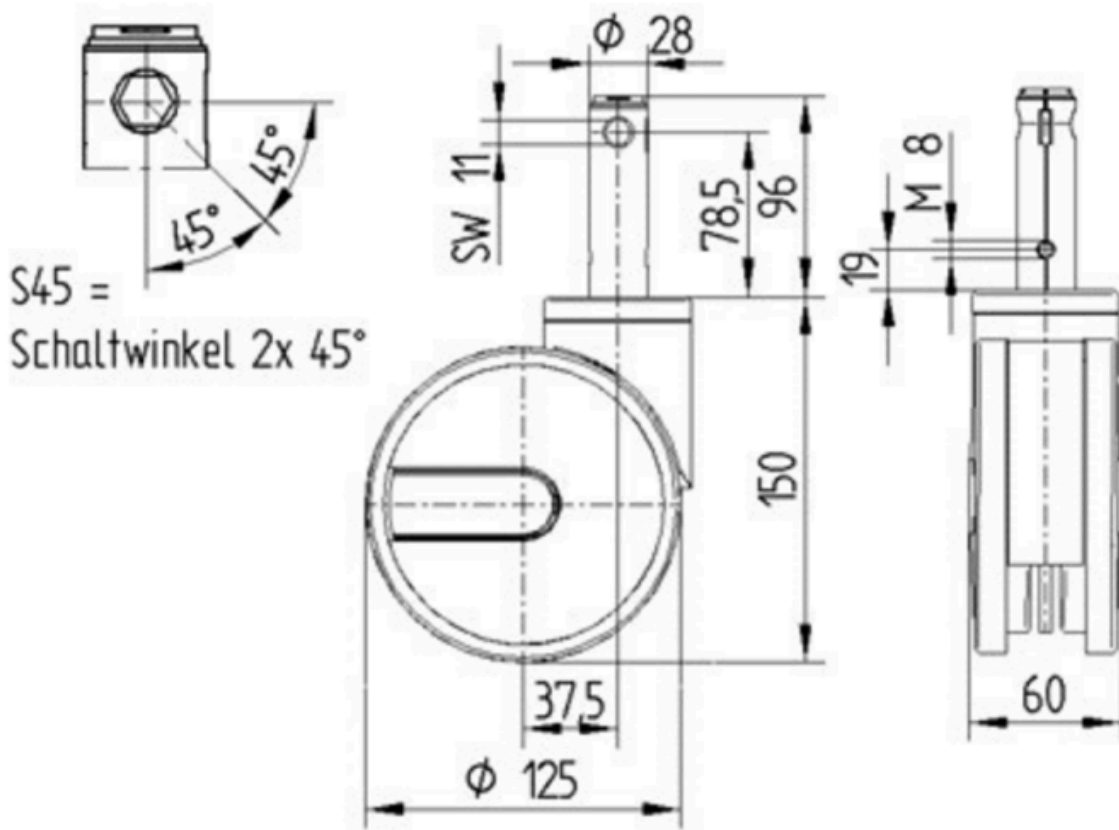
2946UAP125R26-28S45 D 9002 4xM8

EAN 4031582302608

Order number 00032977  
Product Drawings



BETTER MOBILITY. BETTER LIFE.



German  
Design  
Award



Red Dot  
Design  
Award