

ALPHA

3477POR125P62

EAN 4031582305562



BETTER MOBILITY. BETTER LIFE.



Image may differ from the original product

PERFORMANCE

Roll Performance	● ● ● ● ○
Movement noise	● ● ● ● ○
Attrition	● ● ● ● ○
Corrosion resistance	● ● ● ● ○

CORE ATTRIBUTES

Product name	Alpha
Type	Swivel caster with total lock
Standard	EN12532 - Transport Equipment
Load capacity at 2.5 mph	440.92 lb
Electric conductive	no
Stainless	no
Load capacity Static	881.85 lb
Temperature range (Minimum)	-4 °F
Temperature range (Maximum)	140 °F
Overall height	6.1 in
Overall width	2.95 in
Overall weight	2.3 lb

HOUSING

Housing Material	Steel sheet, heavy
Fork shape	Broad
Swivel bearing	Two ball races
Housing Color	Blue passivated
Offset	1.57 in
Swivel radius	4.84 in
Swivel interference	9.69 in
Dome diameter	2.95 in

WHEEL

Body material	Polypropylene
Tread material	Identical with wheel body
Bearing	Roller bearing
Axle	Screwed with nut
Wheel color	Graphite black (RAL9011)
Threadguards	Without threadguard
Diameter	4.92 in
Tread width	1.57 in
Body width	1.57 in
Hardness of tread (D)	65 Shore D

FITTING

Fitting type	Rectangular plate
Plate length	4.13 in
Plate width	3.15 in
Plate hole length (Minimum)	3.03 in
Plate hole length (Maximum)	2.36 in
Plate hole width (Minimum)	3.03 in
Plate hole width (Maximum)	3.15 in
Plate hole diameter	0.35 in

ALPHA

3477POR125P62

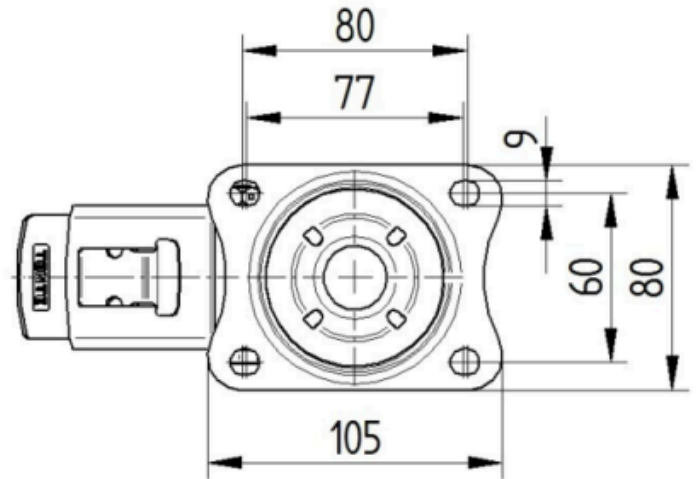
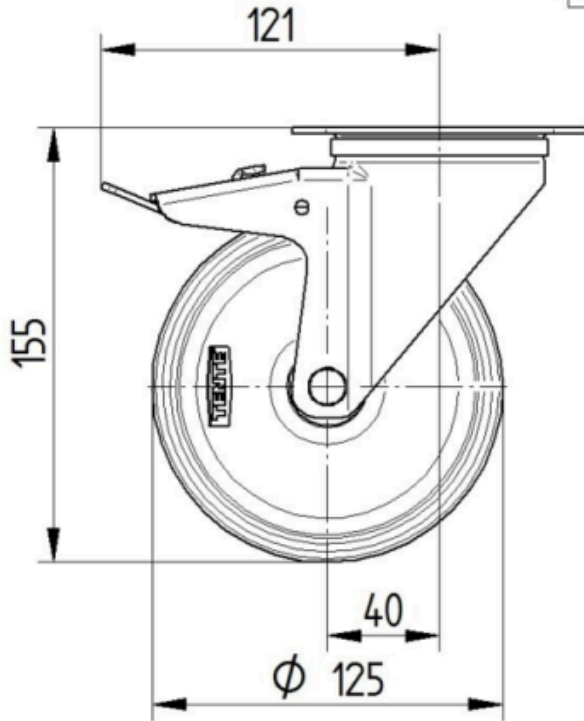
EAN 4031582305562

Order number 00001497
Product Drawings



BETTER MOBILITY. BETTER LIFE.

3477U00125P62-neu



Platte 3470-080P62-105x80

