

LINEA LIGHT

5925UAP075L51-10 9002/3000/7015

EAN 4031582353389



BETTER MOBILITY. BETTER LIFE.



Image may differ from the original product

PERFORMANCE

Roll Performance	● ● ● ● ●
Movement Noise	● ● ● ● ●
Attrition	● ● ● ● ●
Corrosion Resistance	● ● ● ● ●

CORE ATTRIBUTES

Product Name	Linea light
Type	Swivel castor with wheel brake
Standard	EN12528 - Furniture Castors
Load capacity at 3 km/h	100 kg
Electric Conductive	No
Stainless	No
Load capacity Static	200 kg
Temperature range (Minimum)	-20 °C
Temperature range (Maximum)	60 °C
Overall Height	75.5 mm
Overall width	55 mm
Overall weight	0.2 kg

HOUSING

Housing Material	Polyamide
Fork shape	Twin wheel housing
Swivel Bearing	Stem, swiveling
Housing Color	Grey white (RAL9002)
Offset	23 mm
Swivel radius	81 mm
Swivel interference	162 mm
Dome diameter	30 mm

WHEEL

Body material	Polyamide
Tread Material Mix	Polyurethane, injected
Bearing	Precision ball bearing
Tread Color	Slate grey (RAL7015)
Wheel Color	Slate grey (RAL7015)
Threadguards	With threadguard
Diameter	75 mm
Tread width	15 mm
Axle Hole Diameter	0 mm
Hub Length	0 mm
Body width	15 mm
Hardness of tread (A)	92 Shore A

FITTING

Fitting type	Blind hole for B10
Bolt hole diameter	10 mm



Deutscher
Designer
Club



Interzum
Award



product
design
award

IF Design
Award

LINEA LIGHT

5925UAP075L51-10 9002/3000/7015

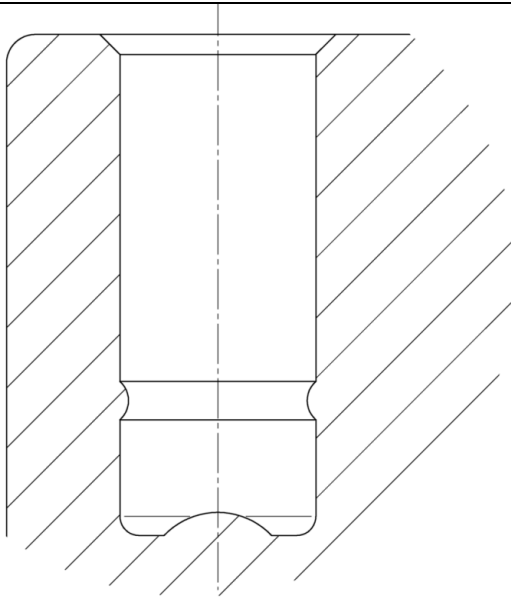
EAN 4031582353389

Order number 00770570

Product Drawings



BETTER MOBILITY. BETTER LIFE.



Deutscher
Designer
Club



Interzum
Award



product
design
award

IF Design
Award