

PRODUCT INFORMATION

# NOVATECH

FTP 400x100-Ø40 HL120

EAN 4031582319491



BETTER MOBILITY. BETTER LIFE.



Image may differ from the original product

### WHEEL

Body material	Casting
Tread material	Polyurethane, casted
Bearing	Precision ball bearing
Wheel color	Honey yellow (RAL1005)
Threadguards	With threadguard
Diameter	15.75 in
Tread width	3.94 in
Axle hole diameter	1.57 in
Hub length	4.72 in
Body width	3.94 in
Hardness of tread (A)	92 Shore A
Hardness of tread (D)	42 Shore D

### PERFORMANCE

Roll Performance	●●●●○
Movement noise	●●●○○
Attrition	●●●●○
Corrosion resistance	●●●○○

### CORE ATTRIBUTES

Product name	Novatech
Type	Wheel
Standard	EN12533 - Heavy Duty Castors
Load capacity at 2.5 mph	8465.74 lb
Load capacity at 3.7 mph	7054.78 lb
Electric conductive	no
Stainless	no
Load capacity Static	14109.57 lb
Temperature range (Minimum)	14 °F
Temperature range (Maximum)	140 °F
Overall weight	62.25 lb

# NOVATECH

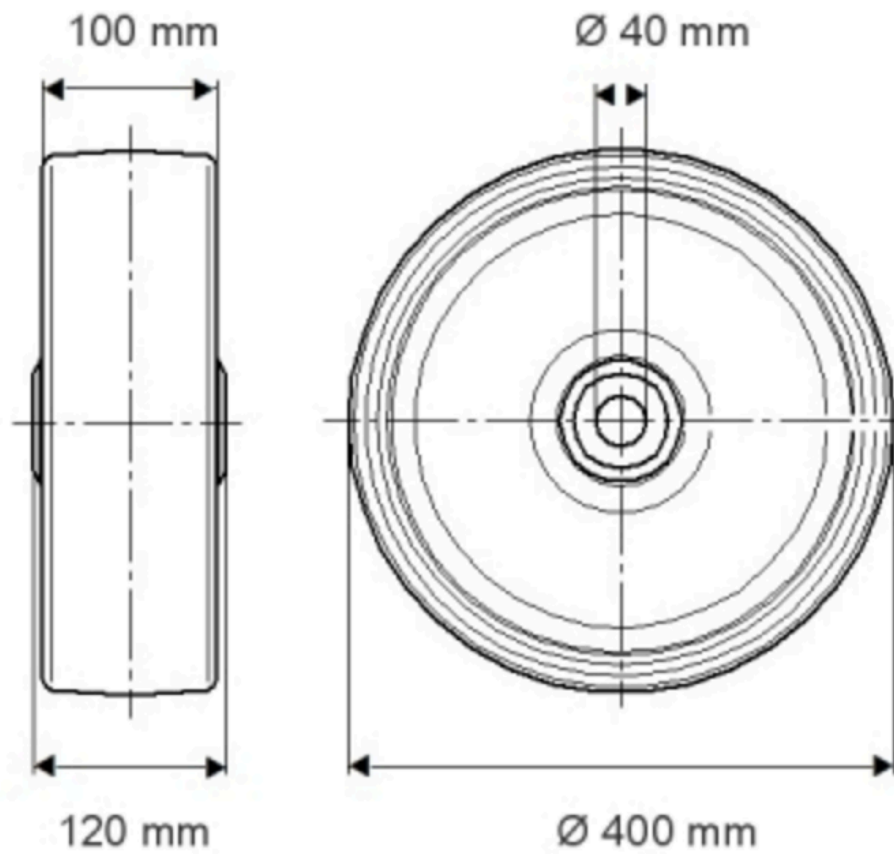
FTP 400x100-Ø40 HL120

EAN 4031582319491

Order number 00801334  
Product Drawings



BETTER MOBILITY. BETTER LIFE.



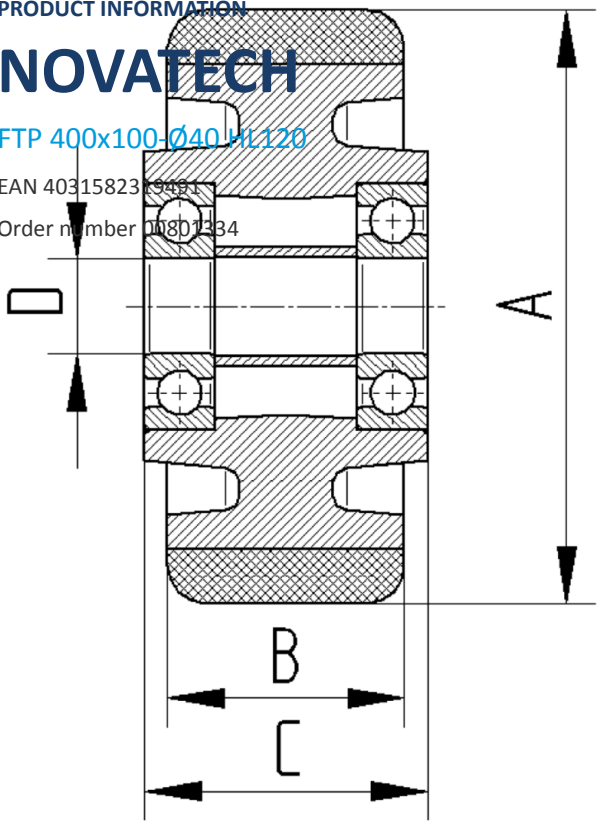
PRODUCT INFORMATION

# NOVATECH

FTP 400x100-Ø40 H1.120

EAN 4031582319481

Order number 00801334



BETTER MOBILITY. BETTER LIFE.