

# LEVINA

5371PJO125P30-11 XL

EAN 4031582382129



BETTER MOBILITY. BETTER LIFE.



Image may differ from the original product

## PERFORMANCE

Roll performance	● ● ● ○ ○
Movement noise	● ● ● ○ ○
Attrition	● ● ● ○ ○
Corrosion resistance	● ● ● ○ ○

## CORE ATTRIBUTES

Product name	Levina
Type	Swivel castor with directional lock
Standard	EN12530 - Devices Castors
Load capacity at 1.8 mph	220.46 lb
Load capacity Static	440.92 lb
Temperature range (Minimum)	14 °F
Temperature range (Maximum)	104 °F
Overall height	6.34 in
Overall weight	1.16 lb

## WHEEL

Body material	Polypropylene
Tread material	Thermoplastic rubber
Bearing	Plain bearing
Threadguards	Without threadguard
Diameter	4.92 in
Tread width	1.26 in
Hardness of tread (A)	85 Shore A

## HOUSING

Material	Polyamide
Fork shape	Slim
Swivel bearing	Two ball races
Offset	1.52 in
Swivel radius	5.12 in
Swivel interference	10.24 in

## FITTING

Fitting type	Bolt hole
Bolt hole diameter	0.43 in



Universal Design Award



Deutscher Designer Club

# LEVINA

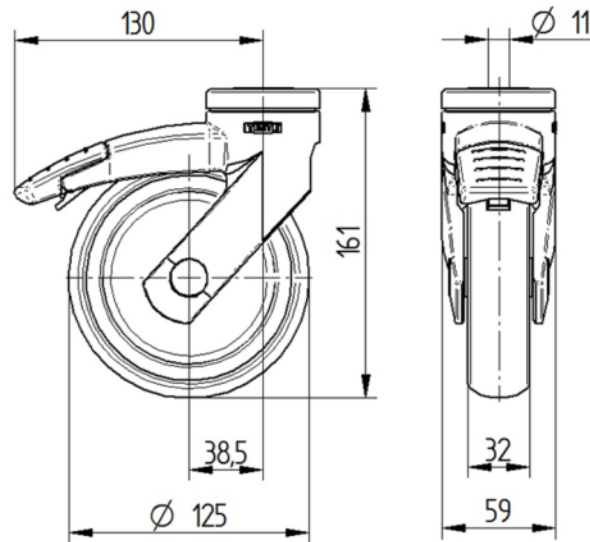
5371PJO125P30-11 XL

EAN 4031582382129



BETTER MOBILITY. BETTER LIFE.

## TECHNICAL DRAWINGS



Universal  
Design  
Award



Deutscher  
Designer  
Club