

# ALPHA

3470UOT125P62

EAN 4031582336894  
Order number 00033751



BETTER MOBILITY. BETTER LIFE.



Image may differ from the original product

## PERFORMANCE

Roll performance	● ● ● ○ ○
Movement noise	● ● ● ● ●
Attrition	● ● ● ● ○
Corrosion resistance	● ● ● ○ ○

## CORE ATTRIBUTES

Product name	Alpha
Type	Swivel castor
Standard	EN12532 - Transport Equipment
Load capacity at 4 km/h	275 kg
Load capacity Static	550 kg
Temperature range (Minimum)	-25 °C
Temperature range (Maximum)	80 °C
Overall height	155 mm
Overall width	75 mm
Overall weight	0.966 kg

## WHEEL

Body material	Polyamide
Tread material	Identical with wheel body
Bearing	Precision ball bearing, damped
Axle	Screwed with nut
Wheel color	Natural white
Diameter	125 mm
Tread width	40 mm
Body width	40 mm
Hardness of tread (D)	75 Shore D

## HOUSING

Material fork	Steel sheet, heavy
Fork shape	Broad
Swivel bearing	Two ball races
Colour	Blue passivated
Offset	40 mm
Swivel radius	102.5 mm
Swivel interference	205 mm
Dome diameter	75 mm

## FITTING

Fitting type	Small rectangular plate
Plate length	105 mm
Plate width	80 mm
Plate hole length (Minimum)	77 mm
Plate hole length (Maximum)	60 mm
Plate hole width (Minimum)	77 mm
Plate hole width (Maximum)	80 mm
Plate hole diameter	9 mm

# ALPHA

3470UOT125P62

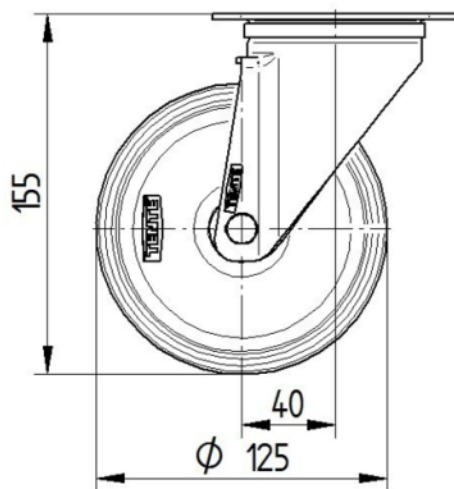
EAN 4031582336894  
Order number 00033751



BETTER MOBILITY. BETTER LIFE.

## TECHNICAL DRAWINGS

3470U00125P62-neu



Platte 3470-080P62-105x80

