

LEVINA

5370PJP100R05-18X62 M8/19 7001

EAN 4031582347548
Order number 00037001



BETTER MOBILITY. BETTER LIFE.



Image may differ from the original product

PERFORMANCE

| | |
|----------------------|-----------|
| Roll performance | ● ● ● ○ ○ |
| Movement noise | ● ● ● ● ○ |
| Attrition | ● ● ● ○ ○ |
| Corrosion resistance | ● ● ● ● ○ |

CORE ATTRIBUTES

| | |
|-----------------------------|---------------------------|
| Product name | Levina |
| Type | Swivel castor |
| Standard | EN12530 - Devices Castors |
| Load capacity at 3 km/h | 100 kg |
| Load capacity Static | 200 kg |
| Temperature range (Minimum) | -10 °C |
| Temperature range (Maximum) | 40 °C |
| Overall height | 137 mm |
| Overall width | 59 mm |
| Overall weight | 0.559 kg |

WHEEL

| | |
|-----------------------|------------------------|
| Body material | Polypropylene |
| Tread material | Thermoplastic rubber |
| Bearing | Precision ball bearing |
| Wheel color | Silver grey (RAL7001) |
| Threadguards | With threadguard |
| Diameter | 100 mm |
| Tread width | 32 mm |
| Body width | 32 mm |
| Hardness of tread (A) | 87 Shore A |

HOUSING

| | |
|---------------------|-----------------------|
| Material fork | Polyamide |
| Fork shape | Slim |
| Swivel bearing | Two ball races |
| Colour | Silver grey (RAL7001) |
| Offset | 36 mm |
| Swivel radius | 86 mm |
| Swivel interference | 172 mm |
| Dome diameter | 59 mm |

FITTING

| | |
|------------------------------|-------------------|
| Fitting type | Solid stem, round |
| Bolt diameter | 18 mm |
| Bolt length | 62 mm |
| Bolt thread position | 19 mm |
| Bolt mounting holes quantity | 2 |



Universal
Design
Award



Deutscher
Designer
Club

LEVINA

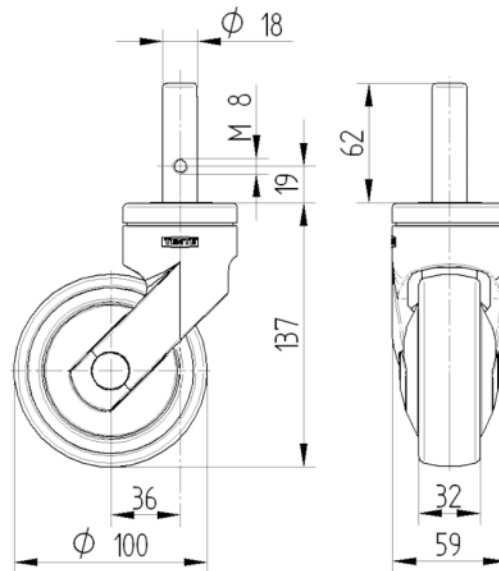
5370PJP100R05-18X62 M8/19 7001

EAN 4031582347548
Order number 00037001



BETTER MOBILITY. BETTER LIFE.

TECHNICAL DRAWINGS



Universal
Design
Award



Deutscher
Designer
Club