

LEVINA

5377PIO125P30-13 XL

EAN 4031582382280



BETTER MOBILITY. BETTER LIFE.



Image may differ from the original product

PERFORMANCE

| | |
|----------------------|-----------|
| Roll performance | ● ● ● ○ ○ |
| Movement noise | ● ● ● ● ○ |
| Attrition | ● ● ● ● ○ |
| Corrosion resistance | ● ● ● ● ○ |

CORE ATTRIBUTES

| | |
|-----------------------------|-------------------------------|
| Product name | Levina |
| Type | Swivel castor with total lock |
| Standard | EN12530 - Devices Castors |
| Load capacity at 3 km/h | 80 kg |
| Load capacity Static | 160 kg |
| Temperature range (Minimum) | -10 °C |
| Temperature range (Maximum) | 40 °C |
| Overall height | 161 mm |
| Overall weight | 0.596 kg |

WHEEL

| | |
|-----------------------|---------------------------|
| Body material | Polypropylene |
| Tread material | Solid rubber, non-marking |
| Bearing | Plain bearing |
| Threadguards | Without threadguard |
| Diameter | 125 mm |
| Tread width | 32 mm |
| Hardness of tread (A) | 80 Shore A |

HOUSING

| | |
|---------------------|----------------|
| Material fork | Polyamide |
| Fork shape | Slim |
| Swivel bearing | Two ball races |
| Offset | 38.5 mm |
| Swivel radius | 130 mm |
| Swivel interference | 260 mm |

FITTING

| | |
|--------------------|-----------|
| Fitting type | Bolt hole |
| Bolt hole diameter | 13 mm |



Universal Design Award



Deutscher Designer Club

LEVINA

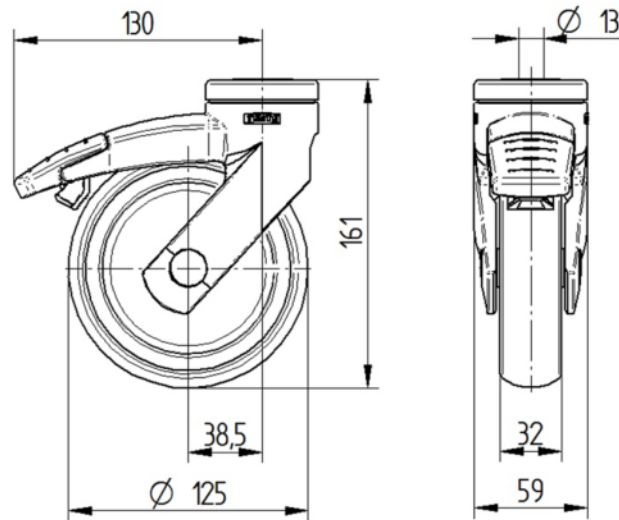
5377PIO125P30-13 XL

EAN 4031582382280



BETTER MOBILITY. BETTER LIFE.

TECHNICAL DRAWINGS



Universal
Design
Award



Deutscher
Designer
Club