

ELASTECH

IFP300x55-Ø25

EAN 4031582366310



BETTER MOBILITY. BETTER LIFE.



Image may differ from the original product

WHEEL

Tread hardness	soft
Body material	Aluminium
Tread Material Mix	Elastic tire, non-marking, vulcanized
Bearing	Precision ball bearing
Threadguards	Without threadguard
Diameter	300 mm
Tread width	55 mm
Axle Hole Diameter	25 mm
Hub Length	60 mm
Hardness of tread (A)	68 Shore A

PERFORMANCE

Roll Performance	● ● ● ● ○ ○
Movement Noise	● ● ● ● ○ ○
Attrition	● ● ● ● ○ ○
Corrosion Resistance	● ● ● ● ○ ○

CORE ATTRIBUTES

Product Name	Elastech
Type	Wheel
Standard	EN12532 - Transport Equipment
Load capacity at 4 km/h	600 kg
Load capacity at 6 km/h	480 kg
Electric Conductive	No
Stainless	No
Load capacity Static	1200 kg
Temperature range (Minimum)	-20 °C
Temperature range (Maximum)	85 °C

ELASTECH

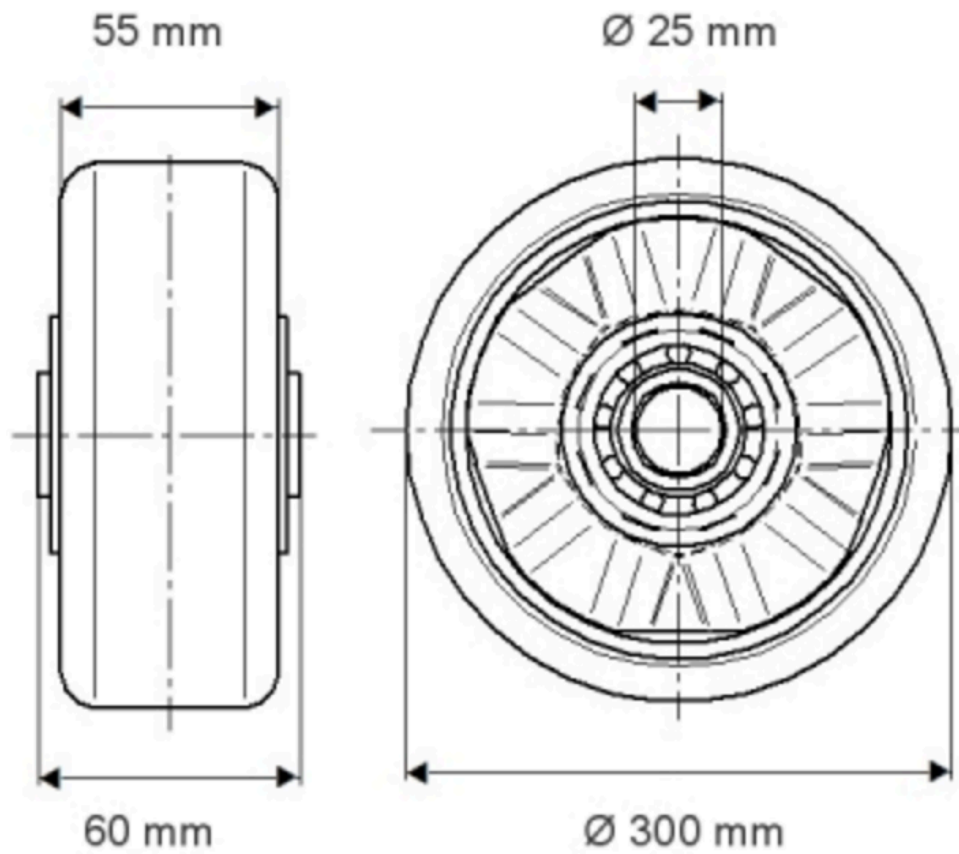
IFP300x55-Ø25

EAN 4031582366310



BETTER MOBILITY. BETTER LIFE.

Product Drawings

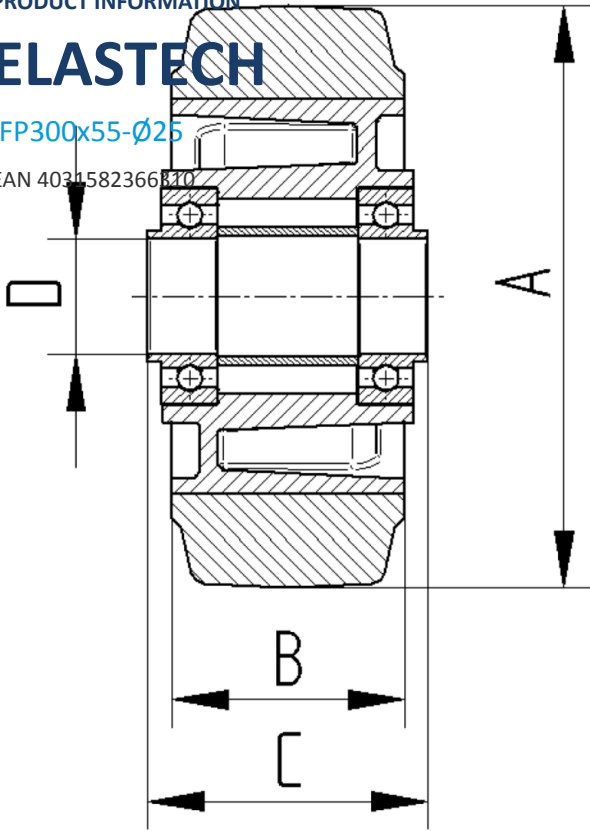


PRODUCT INFORMATION

ELASTECH

IFP300x55-Ø25

EAN 4031582366810



BETTER MOBILITY. BETTER LIFE.