

ALPHA

3470UVH080P62

EAN 4031582304725
Order number 00001196



BETTER MOBILITY. BETTER LIFE.



Image may differ from the original product

PERFORMANCE

Roll performance	● ● ● ○ ○
Movement noise	● ● ● ○ ○
Attrition	● ● ● ○ ○
Corrosion resistance	● ● ● ○ ○

CORE ATTRIBUTES

Product name	Alpha
Type	Swivel castor
Standard	EN12532 - Transport Equipment
Load capacity at 2.5 mph	220.46 lb
Load capacity Static	440.92 lb
Temperature range (Minimum)	-4 °F
Temperature range (Maximum)	176 °F
Overall height	4.25 in
Overall width	2.95 in
Overall weight	1.6 lb

WHEEL

Body material	Polyamide
Tread material	Solid rubber, black
Bearing	Plain bearing
Axle	Screwed with nut
Wheel color	Graphite black (RAL9011)
Threadguards	With threadguard
Diameter	3.15 in
Tread width	1.38 in
Body width	1.38 in
Hardness of tread (A)	90 Shore A
Hardness of tread (D)	39 Shore D

HOUSING

Material	Steel sheet, heavy
Fork shape	Broad
Swivel bearing	Two ball races
Color	Blue passivated
Offset	1.57 in
Swivel radius	3.15 in
Swivel interference	6.3 in
Dome diameter	2.95 in

FITTING

Fitting type	Rectangular plate
Plate length	4.13 in
Plate width	3.15 in
Plate hole length (Minimum)	3.03 in
Plate hole length (Maximum)	2.36 in
Plate hole width (Minimum)	3.03 in
Plate hole width (Maximum)	3.15 in
Plate hole diameter	0.35 in

ALPHA

3470UVH080P62

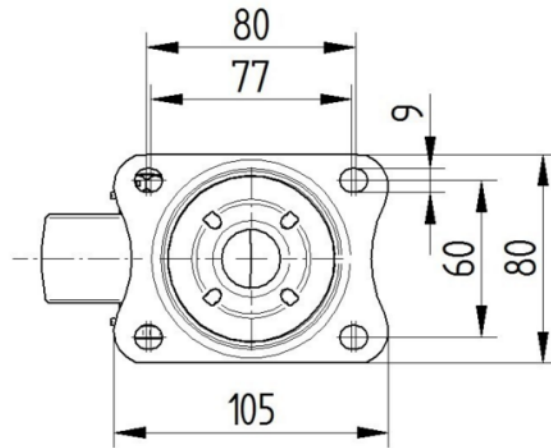
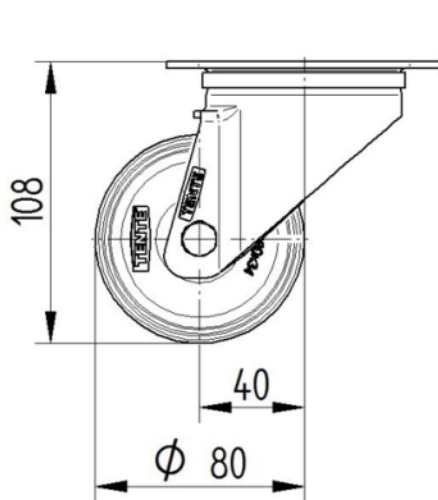
EAN 4031582304725
Order number 00001196



BETTER MOBILITY. BETTER LIFE.

TECHNICAL DRAWINGS

3470U00080P62-neu



Platte 3470-080P62-105x80

