

# LINEA CLINIC

5944UAC125R36-32S30OH150 4xM6

EAN 4031582360035



BETTER MOBILITY. BETTER LIFE.



Image may differ from the original product

## PERFORMANCE

Roll Performance	● ● ● ● ●
Movement noise	● ● ● ○ ○
Attrition	● ● ● ● ○
Corrosion resistance	● ● ● ● ○

## CORE ATTRIBUTES

Product name	Linea clinic
Type	Swivel caster with central, total or directional lock
Standard	similar EN12531- Hospital Bed Castors
Load capacity at 1.8 mph	330.69 lb
Load capacity at 2.5 mph	330.69 lb
Electric conductive	no
Stainless	Yes
Load capacity Static	661.39 lb
Temperature range (Minimum)	-4 °F
Temperature range (Maximum)	176 °F
Overall height	5.91 in
Overall width	2.8 in
Overall weight	2.17 lb
Certification	Tested and monitored by TÜV Süd

## HOUSING

Housing Material	Polyamide
Fork shape	Twin wheel housing
Swivel bearing	Precision ball bearing
Offset	1.57 in
Swivel radius	4.04 in
Swivel interference	8.07 in

## WHEEL

Body material	Polyamide
Tread material	Polyurethane, injected
Bearing	Precision ball bearing, stainless
Threadguards	With threadguard
Diameter	4.92 in
Tread width	0.59 in
Hardness of tread (A)	92 Shore A

## FITTING

Fitting type	Stem with cam hole for profile bars, short version
Bolt diameter	1.26 in
Bolt length	1.97 in
Hint	Washable beds must be sealed in the fitting area by the hospital bed manufacturer.



Deutscher Designer Club



Interzum Award



IF Design Award

# LINEA CLINIC

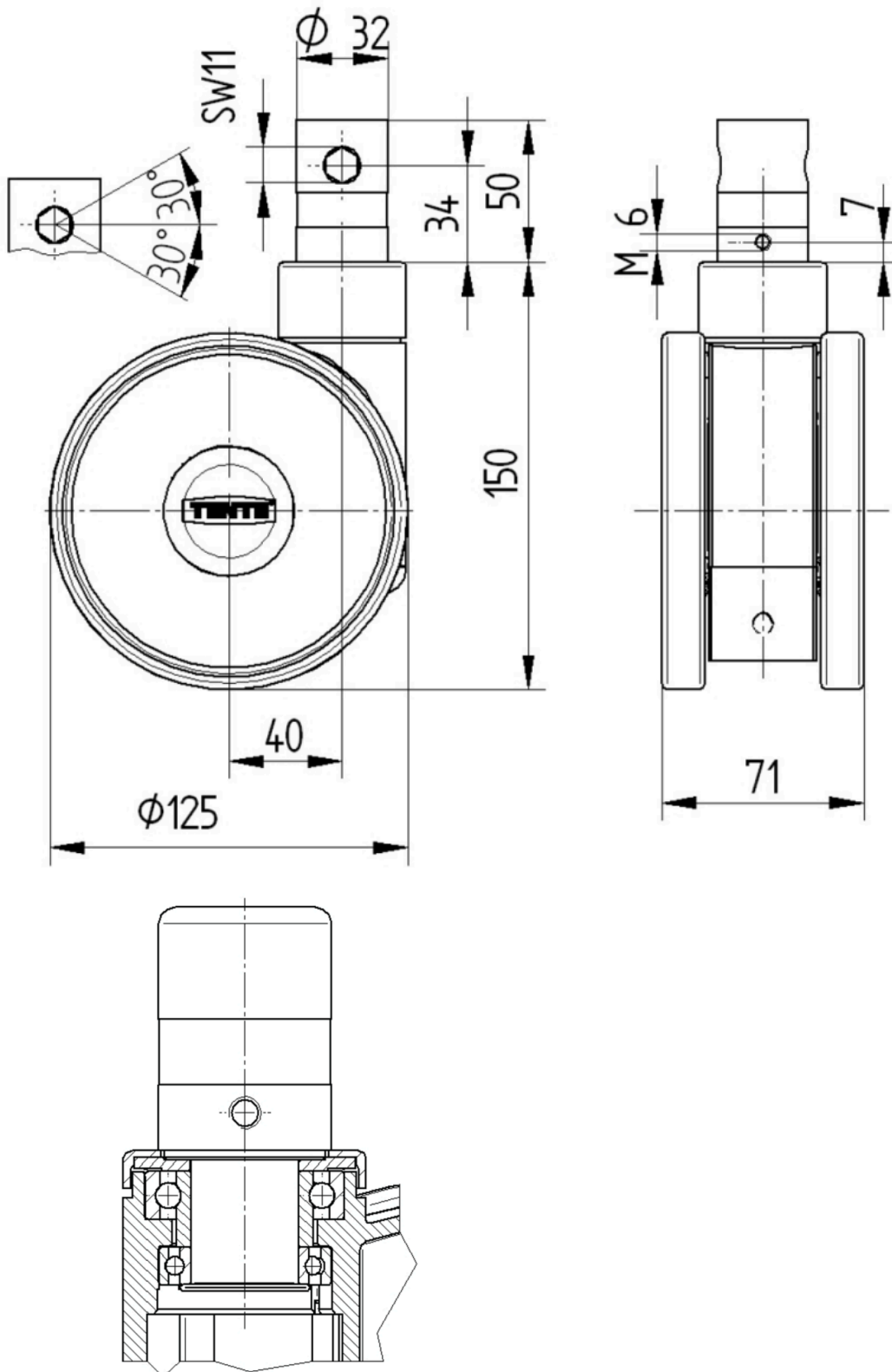
5944UAC125R36-32S30OH150 4xM6

EAN 4031582360035



BETTER MOBILITY. BETTER LIFE.

## Product Drawings



Deutscher  
Designer  
Club



Interzum  
Award



product  
design  
award

IF Design  
Award