

INTEGRAL

2044XSX125R26-28S45 D 9002 W

EAN 4031582340693
Order number 00002861



BETTER MOBILITY. BETTER LIFE.



Image may differ from the original product

PERFORMANCE

| | |
|----------------------|-----------|
| Roll performance | ● ● ● ○ ○ |
| Movement noise | ● ● ● ○ ○ |
| Attrition | ● ● ● ● ○ |
| Corrosion resistance | ● ● ● ○ ○ |

CORE ATTRIBUTES

| | |
|-----------------------------|---|
| Product name | Integral |
| Type | Swivel castor with central, total or directional lock |
| Standard | EN12531 - Hospital Bed Castors |
| Load capacity at 1.8 mph | 330.69 lb |
| Load capacity at 2.5 mph | 330.69 lb |
| Electric conductive | ✓ |
| Load capacity Static | 992.08 lb |
| Temperature range (Minimum) | -13 °F |
| Temperature range (Maximum) | 176 °F |
| Overall height | 6.22 in |
| Overall width | 2.44 in |
| Overall weight | 2.09 lb |
| Certification | Tested and monitored by TÜV Süd |

WHEEL

| | |
|-----------------------|---|
| Body material | Polyamide, electric conductive |
| Tread material | Polyurethane, injected, electric-conductive |
| Bearing | Precision ball bearing, sealed |
| Tread color | Slate gray (similar RAL7015) |
| Wheel color | Slate gray (RAL7015) |
| Threadguards | Integrated threadguard |
| Diameter | 4.92 in |
| Tread width | 1.26 in |
| Body width | 1.26 in |
| Hardness of tread (A) | 91 Shore A |
| Hardness of tread (D) | 40 Shore D |

HOUSING

| | |
|---------------------|------------------------|
| Material | Steel sheet, medium |
| Fork shape | Closed |
| Swivel bearing | Precision ball bearing |
| Color | Gray white (RAL9002) |
| Offset | 1.38 in |
| Swivel radius | 3.84 in |
| Swivel interference | 7.68 in |
| Dome diameter | 2.44 in |

FITTING

| | |
|------------------------------|--|
| Fitting type | Stem with cam hole for profile bars |
| Bolt diameter | 1.1 in |
| Bolt length | 3.78 in |
| Bolt thread position | 0.75 in |
| Bolt mounting holes quantity | 2 |
| Hint | Washable beds must be sealed in the fitting area by the hospital bed manufacturer. |

ADDITIONAL INFORMATION

Washable according AK-BWA



IF Design Award



Red Dot Design Award

INTEGRAL

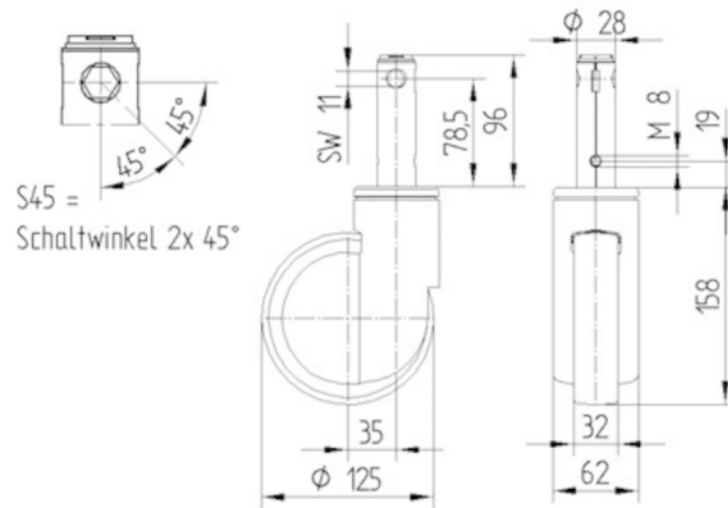
2044XSX125R26-28S45 D 9002 W

EAN 4031582340693
Order number 00002861



BETTER MOBILITY. BETTER LIFE.

TECHNICAL DRAWINGS



IF
Design
Award



Red Dot
Design
Award