

NOVATECH

FTP 200x80-Ø30 HL90

EAN 4031582319347



BETTER MOBILITY. BETTER LIFE.



Image may differ from the original product

WHEEL

Body material	Cast iron
Tread Material Mix	Polyurethane, casted
Bearing	Precision ball bearing
Wheel Color	Honey yellow (RAL1005)
Threadguards	With threadguard
Diameter	200 mm
Tread width	80 mm
Axle Hole Diameter	30 mm
Hub Length	90 mm
Body width	80 mm
Hardness of tread (A)	92 Shore A
Hardness of tread (D)	42 Shore D
Suitable for	linde

PERFORMANCE

Roll Performance	●●●●○
Movement Noise	●●●○○
Attrition	●●●●○
Corrosion Resistance	●●●○○

CORE ATTRIBUTES

Product Name	Novatech
Type	Wheel
Standard	EN12533 - Heavy Duty Castors
Load capacity at 4 km/h	1680 kg
Load capacity at 6 km/h	1400 kg
Electric Conductive	No
Stainless	No
Load capacity Static	2800 kg
Temperature range (Minimum)	-10 °C
Temperature range (Maximum)	60 °C
Overall weight	6.99 kg

NOVATECH

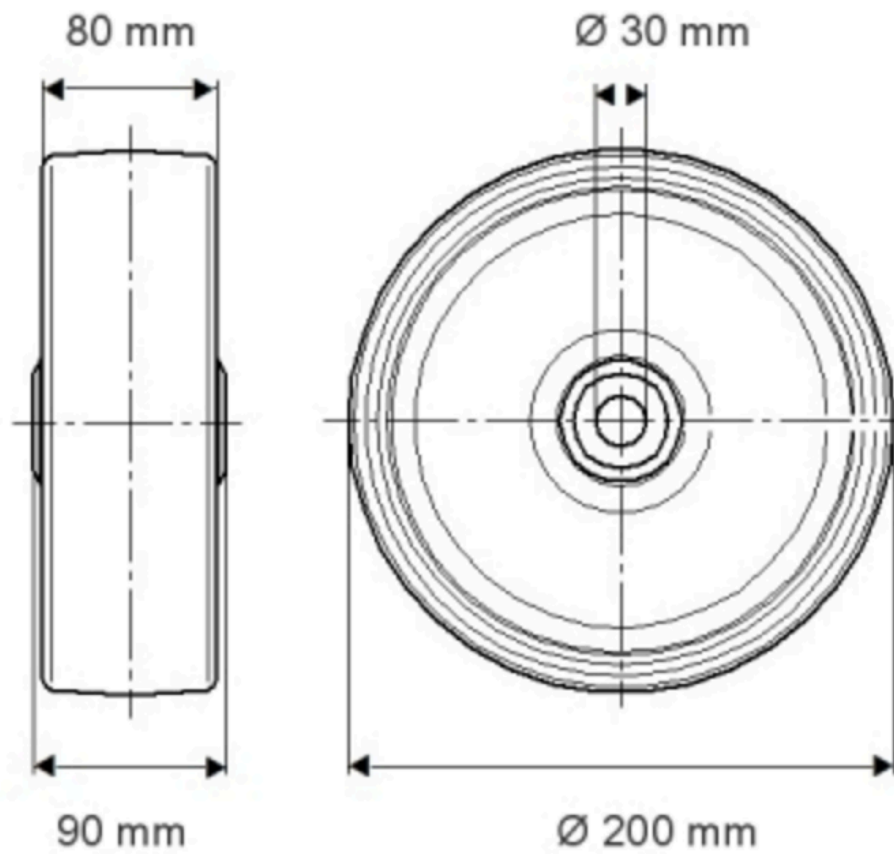
FTP 200x80-Ø30 HL90

EAN 4031582319347

Order number 00828810
Product Drawings



BETTER MOBILITY. BETTER LIFE.



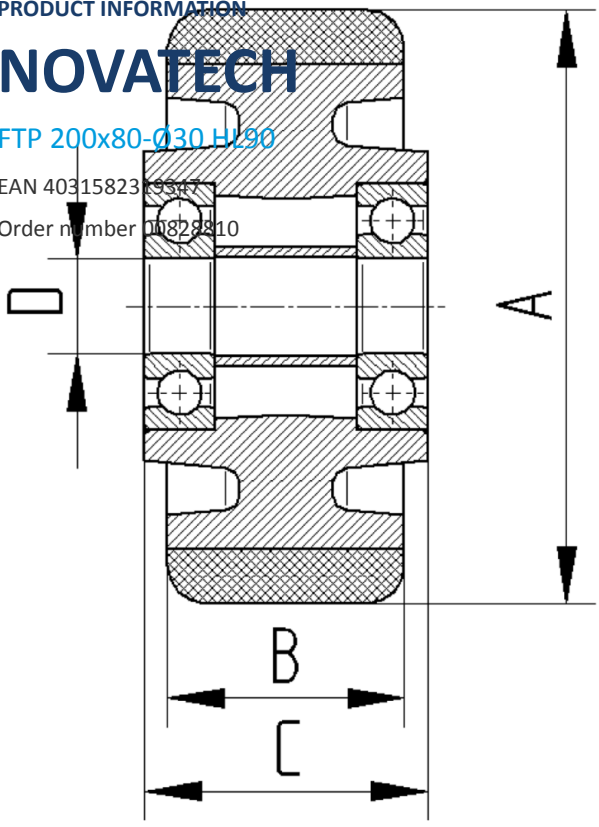
PRODUCT INFORMATION

NOVATECH

FTP 200x80-030 H190

EAN 4031582319347

Order number 00829810



BETTER MOBILITY. BETTER LIFE.