

PRODUCT INFORMATION

NOVATECH

ITP100x40-Ø15 HL40 80shA

EAN 4031582481471



BETTER MOBILITY. BETTER LIFE.



Image may differ from the original product

WHEEL

Body material	Aluminium
Tread Material Mix	Polyurethane, casted
Bearing	Precision ball bearing
Threadguards	Without threadguard
Diameter	100 mm
Tread width	40 mm
Axle Hole Diameter	15 mm
Hub Length	40 mm
Hardness of tread (A)	80 Shore A
Suitable for	pimespo_still_wagner

PERFORMANCE

Roll Performance	● ● ● ○ ○
Movement Noise	● ● ● ○ ○
Attrition	● ● ● ● ○
Corrosion Resistance	● ● ● ○ ○

CORE ATTRIBUTES

Product Name	Novatech
Type	Wheel
Load capacity at 3 km/h	300 kg
Electric Conductive	No
Stainless	No
Load capacity Static	600 kg
Temperature range (Minimum)	-10 °C
Temperature range (Maximum)	60 °C
Overall weight	0.47 kg

NOVATECH

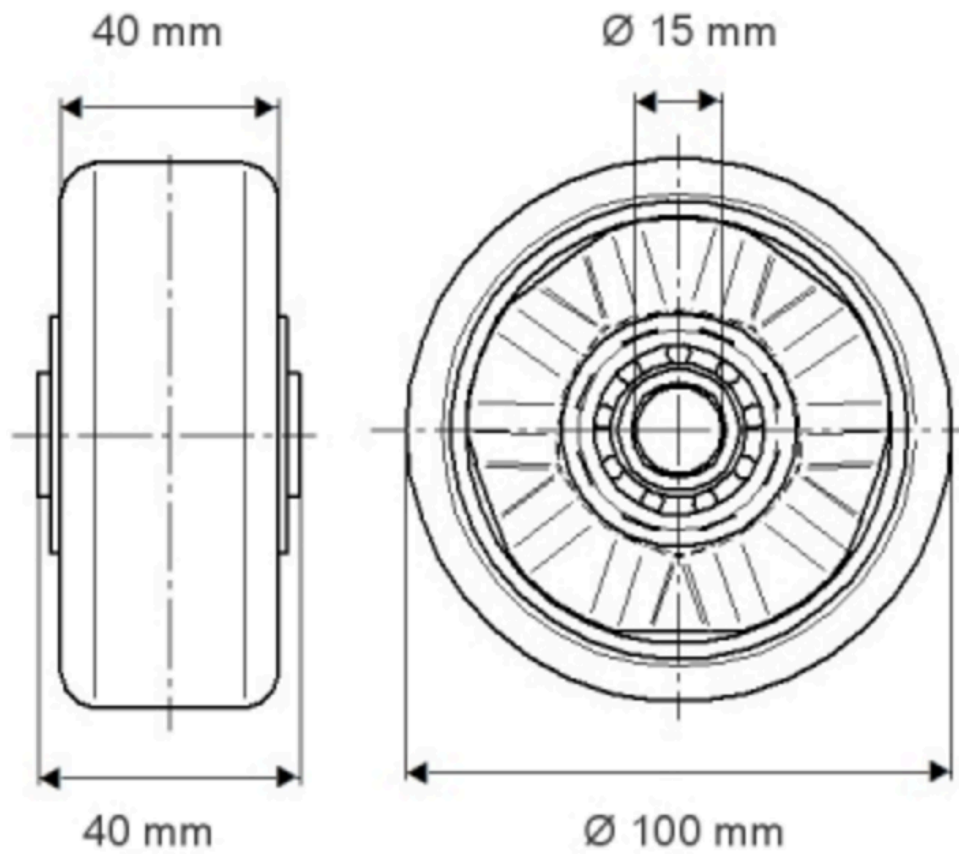
ITP100x40-Ø15 HL40 80shA

EAN 4031582481471



BETTER MOBILITY. BETTER LIFE.

Product Drawings

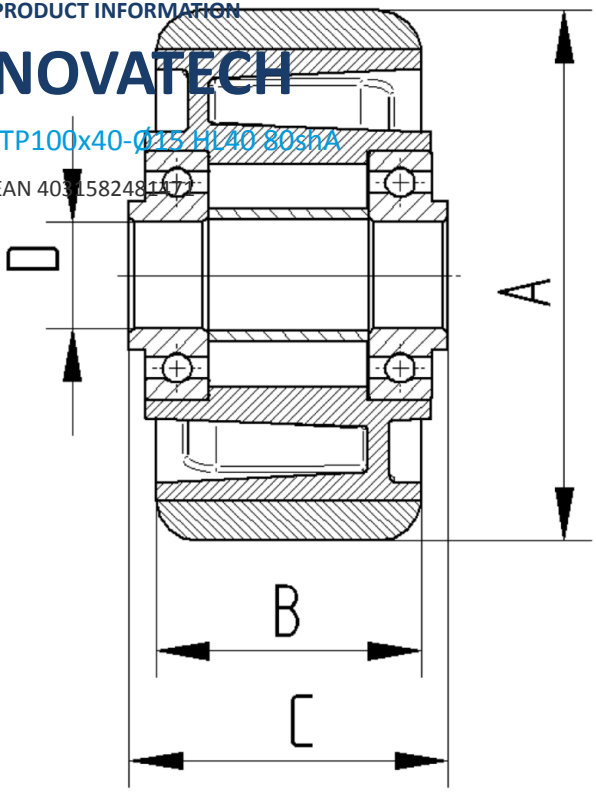


PRODUCT INFORMATION

NOVATECH

ITP100x40-Ø15 H140 80shA

EAN 4031582481117



BETTER MOBILITY. BETTER LIFE.