

PRODUCT INFORMATION

NOVATECH

ITP 160x50-Ø20 HL60 soft cv

EAN 4031582329544



BETTER MOBILITY. BETTER LIFE.



Image may differ from the original product

WHEEL

| | |
|-----------------------|--------------------------|
| Tread profile | convex |
| Tread hardness | soft |
| Body material | Aluminum |
| Tread material | Polyurethane, casted |
| Bearing | Precision ball bearing |
| Wheel color | Traffic gray A (RAL7042) |
| Threadguards | Without threadguard |
| Diameter | 6.3 in |
| Tread width | 1.97 in |
| Axle hole diameter | 0.79 in |
| Hub length | 2.36 in |
| Body width | 1.97 in |
| Hardness of tread (A) | 80 Shore A |

PERFORMANCE

| | |
|----------------------|-----------|
| Roll Performance | ● ● ● ● ○ |
| Movement noise | ● ● ● ● ○ |
| Attrition | ● ● ● ● ○ |
| Corrosion resistance | ● ● ● ○ ○ |

CORE ATTRIBUTES

| | |
|-----------------------------|-------------------------------|
| Product name | Novatech |
| Type | Wheel |
| Standard | EN12532 - Transport Equipment |
| Load capacity at 2.5 mph | 1212.54 lb |
| Load capacity at 3.7 mph | 970.03 lb |
| Electric conductive | no |
| Stainless | no |
| Load capacity Static | 2425.08 lb |
| Temperature range (Minimum) | 14 °F |
| Temperature range (Maximum) | 140 °F |
| Overall weight | 2.64 lb |

NOVATECH

ITP 160x50-Ø20 HL60 soft cv

EAN 4031582329544

Order number 00835312
Product Drawings



BETTER MOBILITY. BETTER LIFE.



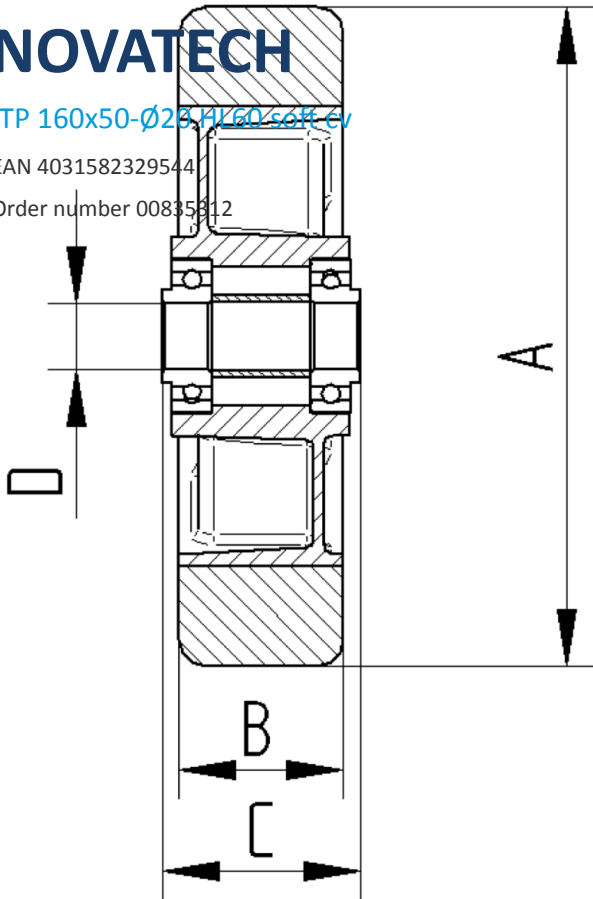
PRODUCT INFORMATION

NOVATECH

ITP 160x50-Ø23, H160x50H cv

EAN 4031582329544

Order number 00835312



BETTER MOBILITY. BETTER LIFE.